

SK-FCQ ADJUSTABLE PRIORITY FLOW CONTROL VALVE

DESCRIPTION

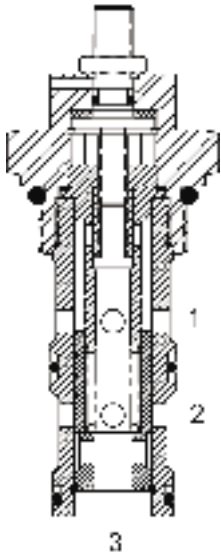
16 size, 1 5/16-12 thread, "Super" series, adjustable priority flow control valve.

OPERATION

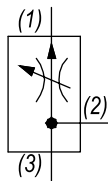
The SK-FCQ allows pressure compensated flow from (3) to (1) regulated by the pressure present at (3). Excess flow bypasses out (2). The spring chamber is constantly vented at (1).

FEATURES

- Hardened cage and spool for long life.
- Industry common cavity.

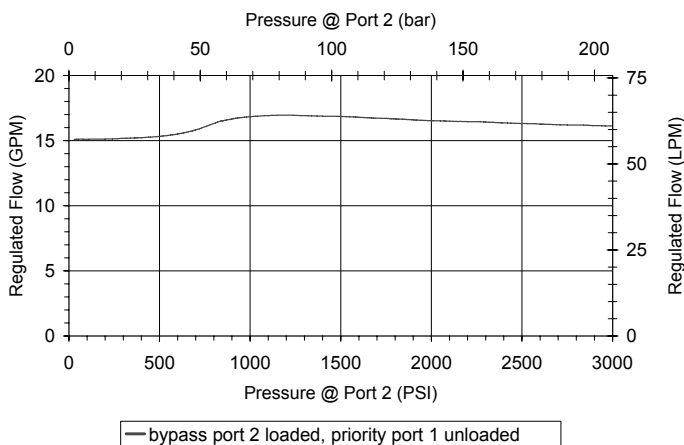


HYDRAULIC SYMBOL



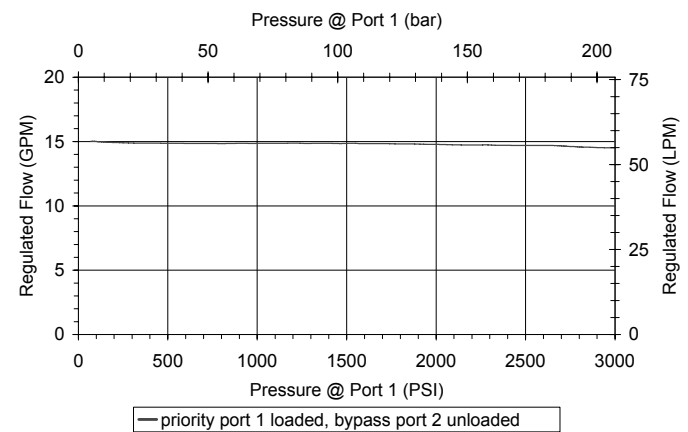
PERFORMANCE

Actual Test Data (Cartridge Only)



VALVE SPECIFICATIONS

Max Regulated Flow	25 GPM (95 LPM)
Rated Operating Pressure	500-3000 PSI (34-207 bar)
Viscosity Range	36 to 3000 SSU (3 to 647 cSt)
Filtration	ISO 18/16/13
Media Operating Temp. Range	-40° to 250°F (-40° to 120°C)
Weight	.96 lbs (.44 kg)
Operating Fluid Media	General Purpose Hydraulic Fluid
Cartridge Torque Requirements	90 ft-lbs (122 Nm)
Cavity	SUPER 3W
Cavity Form Tool (Finishing)	40500018
Seal Kit	21191404



WARNING: the specifications/application data shown in our catalogs and data sheets are intended only as a general guide for the product described (herein). Any specific application should not be undertaken without independent study, evaluation, and testing for suitability.

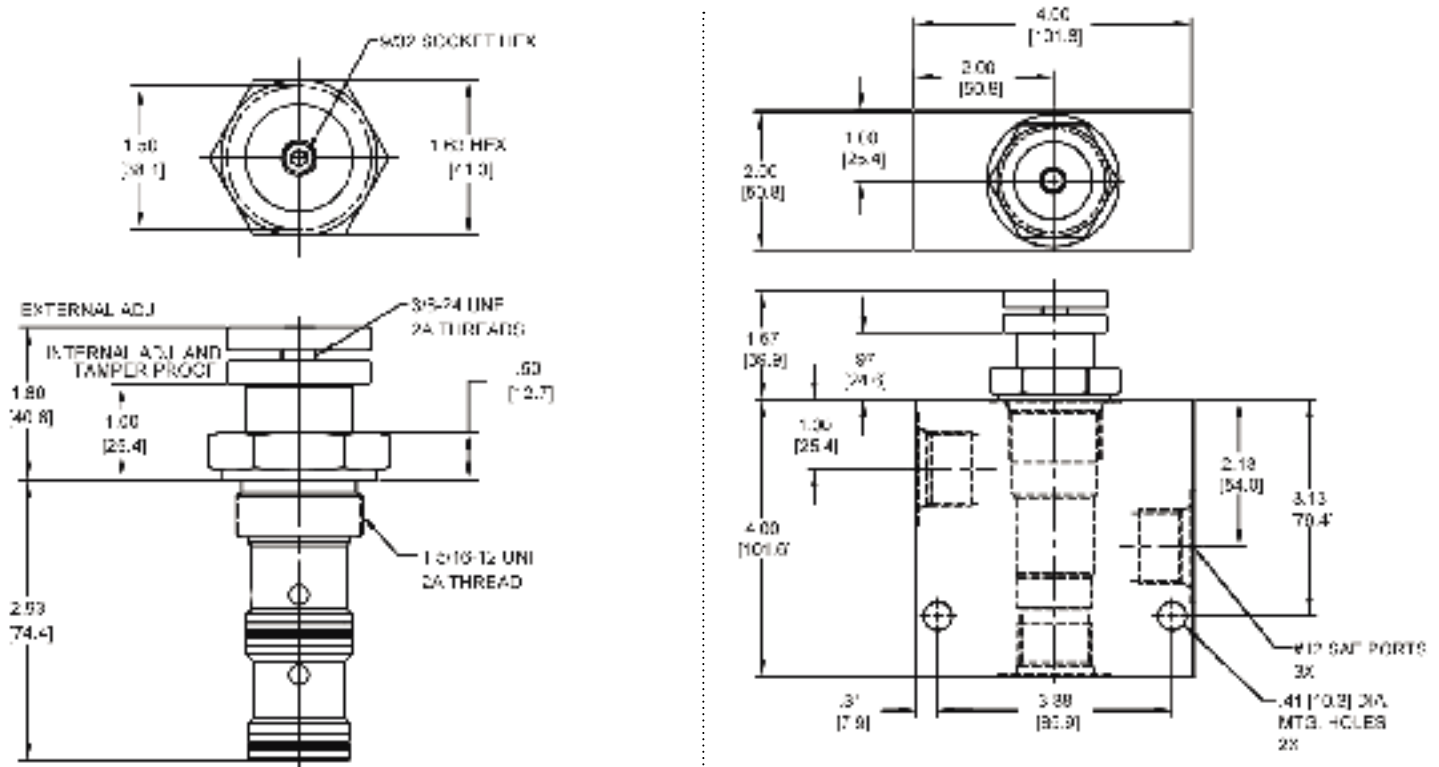


4484 Boeing Drive Rockford, IL 61109 • USA • Phone +1 (815) 397-6628 • Fax +1 (815) 397-2526
 mail: delta@delta-power.com • www.delta-power.com



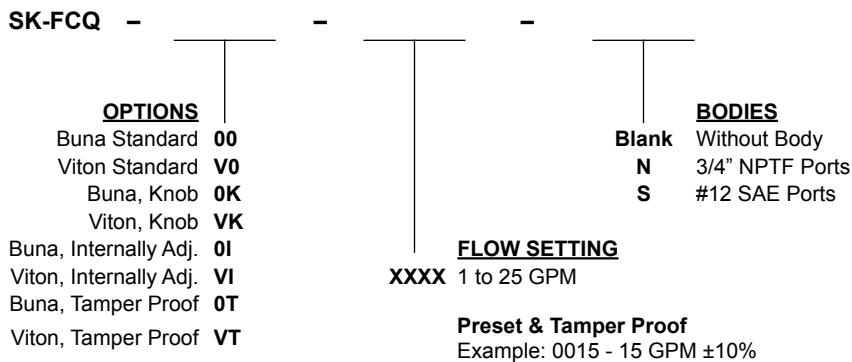
Via Malavolti, 36 • 41122 Modena • ITALY • Phone +39 (059) 254895 • Fax +39 (059) 253512
 mail: tecnord@tecnord.com • www.tecnord.com

DIMENSIONS



Body Weight: 2.46 lbs (1.11 kg)

ORDERING INFORMATION



1/16 / 2020

WARNING: the specifications/application data shown in our catalogs and data sheets are intended only as a general guide for the product described (herein). Any specific application should not be undertaken without independent study, evaluation, and testing for suitability.



4484 Boeing Drive Rockford, IL 61109 • USA • Phone +1 (815) 397-6628 • Fax +1 (815) 397-2526
 mail: delta@delta-power.com • www.delta-power.com



Via Malavolti, 36 • 41122 Modena • ITALY • Phone +39 (059) 254895 • Fax +39 (059) 253512
 mail: tecnord@tecnord.com • www.tecnord.com