

RC-PTM-4F 4-FUNCTIONS PTM RADIO TRANSMITTER

DESCRIPTION

Compact multi-function shoulder strap radio remote controller, for use with Tecnord radio receivers / transceivers. Four proportional paddle levers (JLP type) and toggle switches for auxiliary functions. RC-PTM radio remote controller is designed to allow remote operation of machines. It is best suited for machines equipped with a CAN-based control system. Its multi-function structure allows simultaneous operation of all the available functions.

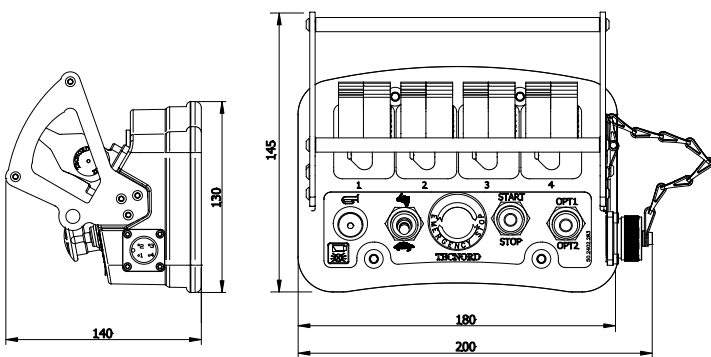
OPERATION

RC-PTM-4F Compact Controller is equipped with 4 proportional paddle levers (Tecnord JLP type). Additional operators are available for radio enable, reduced speed selection and auxiliary functions. A STOP pushbutton is available to immediately stop the machine in case of hazard. Battery and battery charger are internal; a connector is provided for battery charging and backup cable communication. The transmission technology used allows high immunity to interference and long operating range. Co-existence between multiple RC-PTM units is also allowed. A unique code allows the RC-PTM controller to operate only with its coupled radio receiver.

FEATURES

- Battery power supply: NiMH rechargeable cells.
- Cable power supply: from vehicle's battery, for battery charge.
- CANbus line (standard J1939, option CANopen) is provided for backup cable communication.
- Standard battery charge cable with cigarette-lighter plug.
- Optional serial cable (CANbus + battery charge).
- Vibration and shock resistant.
- CE, FCC, IC certifications available.
- Shoulder strap provided as standard.

DIMENSIONS



SPECIFICATIONS

Operating voltage (internal battery):	4.7÷6 VDC
Operating voltage (serial cable):	8÷32 VDC
Max current consumption:	200 mA
Operating temperature:	-40 ÷ +85°C
Operating Frequency Band:	2402÷2480 MHz
Transmission type:	BT 2.1 + EDR
Antenna:	Built-in (internal)
Diagnostics:	1 LED for the controller's status (more LEDs available as option)
CANbus physical layer:	ISO 11898
CANbus protocol:	J1939 (standard) CANopen (option)
Connector type:	IT connector, 4 poles female
Housing material:	Polycarbonate
Weight:	< 1Kg (4F)
Environmental protection:	IP 65

RC ORDERING INFORMATION: see page RC3

WARNING: the specifications/application data shown in our catalogs and data sheets are intended only as a general guide for the product described (herein). Any specific application should not be undertaken without independent study, evaluation, and testing for suitability.



4484 Boeing Drive Rockford, IL 61109 • USA • Phone +1 (815) 397-6628 • Fax +1 (815) 397-2526
mail: delta@delta-power.com • www.delta-power.com



Via Malavolti, 36 • 41122 Modena • ITALY • Phone +39 (059) 254895 • Fax +39 (059) 253512
mail: tecnord@tecnord.com • www.tecnord.com