

**EC-SNR-EOM-H MATERIAL SENSOR****DESCRIPTION**

End of material sensor based on a piezoelectric device designed for use in the extremely harsh environment associated with the rear of a mobile road salt spreader.

**OPERATION**

When the material from the "Spinner" hits the stainless steel probe, the sensor is activated and turn the output signal ON (+V).

When no material is detected hitting the probe, the sensor turns the output signal OFF (open). It can be used as an auxiliary device in conjunction with the Tecnord Ecomatic salt spreader control unit.

**FEATURES**

- Supply line is protected against reversed polarity and overvoltage.
- Output protected against short circuits to GND and supply.
- No requirements for "screened" wires between the sensor and the control unit in cab.
- No extra electronics needed for the sensor to operate.
- High quality stainless steel probe for extended operational life.
- Electro Magnetic Compatibility (EMC): EN 61000-6-2 (Immunity)  
EN 61000-6-3 (Emissions)

**SPECIFICATIONS**

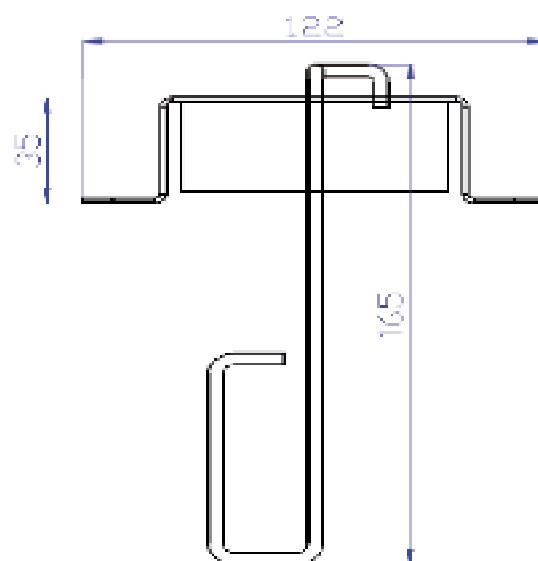
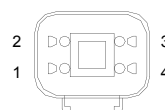
Operating voltage:	8+32 VDC
Max current consumption:	20mA
Operating temperature:	-25°C / +85°C
Degree of protection:	IP 67
Digital output:	PNP type
Max output current:	250mA
Connector type:	Deutsch DT04-4P

**APPLICATIONS**

- 12 VDC and 24 VDC systems.
- End of material sensor for salt spreader systems.
- EOM sensor for agricultural spreader systems (e.g. fertilizers).

**Ordering Code**

20.0401.041/A

**DIMENSIONS****CONNECTIONS****Deutsch DT04-4P**

- 1 +V (POWER SUPPLY)
- 2 -V (POWER SUPPLY - GND)
- 3 OUTPUT SIGNAL
- 4 NOT USED