

**FTH-L1S CONTACTLESS FINGERTIP PROPORTIONAL CONTROL LEVER**

**FEATURES**

- Single axis / unidirectional.
- Contactless, hall effect sensor.
- Optional "out of neutral" switch.
- Optional dual sensor (redundant).

**MECHANICAL SPECIFICATIONS**

Lever deflection angle:	50° ±1°
Electrical angle:	50° ±1°
Operating temperature range:	-25°C / +80°C
Protection class:	IP 67
Life:	> 3 million cycles (without switch)
Connector:	molex CGRID/SL, 7 male pins

**ELECTRICAL SPECIFICATIONS**

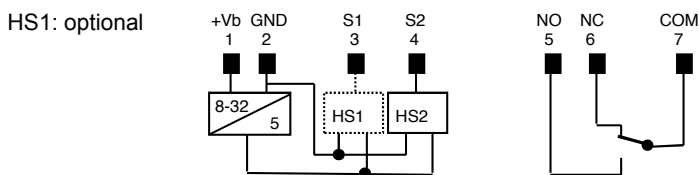
**Linear, hall-effect sensor**

Power supply voltage:	8÷32 VDC
Current consumption:	< 15 mA (30 mA with 2 sensors)
Output signal in neutral:	< 0.1 V
Output signal range:	0.5 V ÷ 4.5 V
Tolerance on output signal:	±0.1 V
Linearity:	< 2%
Max. output current:	1 mA
Directional switch operating voltage:	< 48 VDC
Directional switch max. current:	1 A

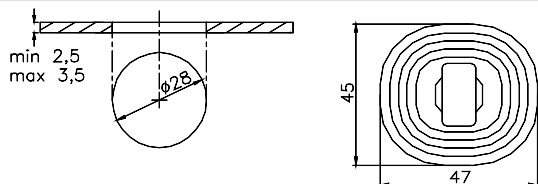
**Neutral position switch (electromechanical type)**

Contacts:	silver plated (solder type)
Max. operating input voltage:	48 V or ±24 V
Max. operating current:	1 A
Neutral pos. switch threshold angle:	7°
Protection class:	IP 67

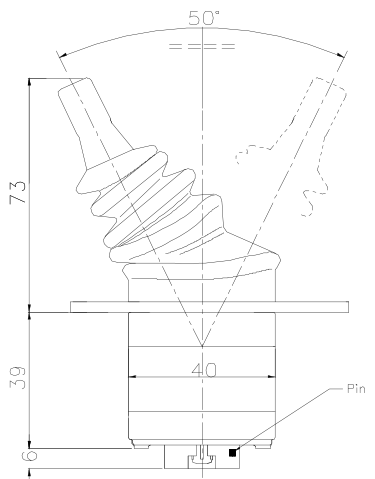
**ELECTRICAL CONNECTIONS**



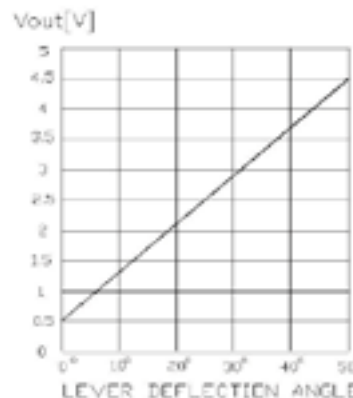
**PANEL CUT-OUT AND MOUNTING**



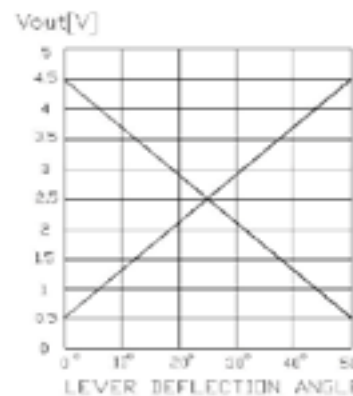
**OVERALL DIMENSIONS**



**OUTPUT SIGNAL CONTROL CHARACTERISTIC**



**FTH-L1S/SN**  
(single channel)



**FTH-L1S/TW**  
(dual channel)

**FTH ORDERING INFORMATION: see page JK5**

**WARNING:** the specifications/application data shown in our catalogs and data sheets are intended only as a general guide for the product described (herein). Any specific application should not be undertaken without independent study, evaluation, and testing for suitability.



4484 Boeing Drive Rockford, IL 61109 • USA • Phone +1 (815) 397-6628 • Fax +1 (815) 397-2526  
mail: delta@delta-power.com • www.delta-power.com



Via Malavolti, 36 • 41122 Modena • ITALY • Phone +39 (059) 254895 • Fax +39 (059) 253512  
mail: tecnord@tecnord.com • www.tecnord.com