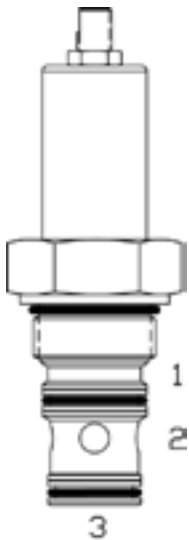


**SL-PWA SEQUENCE VALVE, NORMALLY CLOSED, INTERNAL PILOT**



**DESCRIPTION**

16 size, 1 5/16-12 thread, "Super" series, internal pilot normally closed, sequence valve.

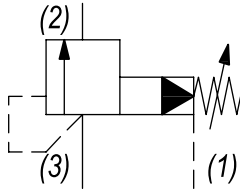
**OPERATION**

The SL-PWA blocks flow from ports (3) to (2). On attainment of a predetermined pressure at (3) the valve shifts to allow flow from (3) to (2). Port (1) should be a tank line.

**FEATURES**

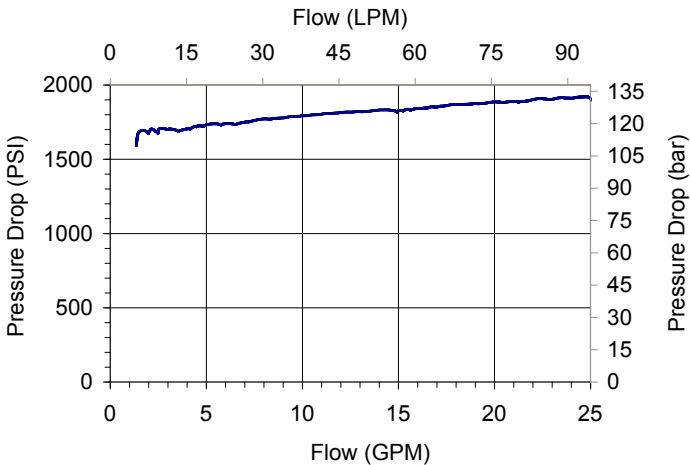
- Hardened parts for long life.
- Industry common cavity.

**HYDRAULIC SYMBOL**



**PERFORMANCE**

Actual Test Data (Cartridge Only)



**VALVE SPECIFICATIONS**

Nominal Flow	40 GPM (151 LPM)
Rated Operating Pressure	3500 PSI (241 bar)
Viscosity Range	36 to 3000 SSU (3 to 647 cSt)
Filtration	ISO 18/16/13
Media Operating Temp. Range	-40° to 250°F (-40° to 120°C)
Weight	1.15 lbs (.52 kg)
Operating Fluid Media	General Purpose Hydraulic Fluid
Cartridge Torque Requirements	90 ft-lbs (122 Nm)
Cavity	SUPER 3WS
Cavity Form Tool (Finishing)	40500021
Seal Kit	21191404

**WARNING:** the specifications/application data shown in our catalogs and data sheets are intended only as a general guide for the product described (herein). Any specific application should not be undertaken without independent study, evaluation, and testing for suitability.

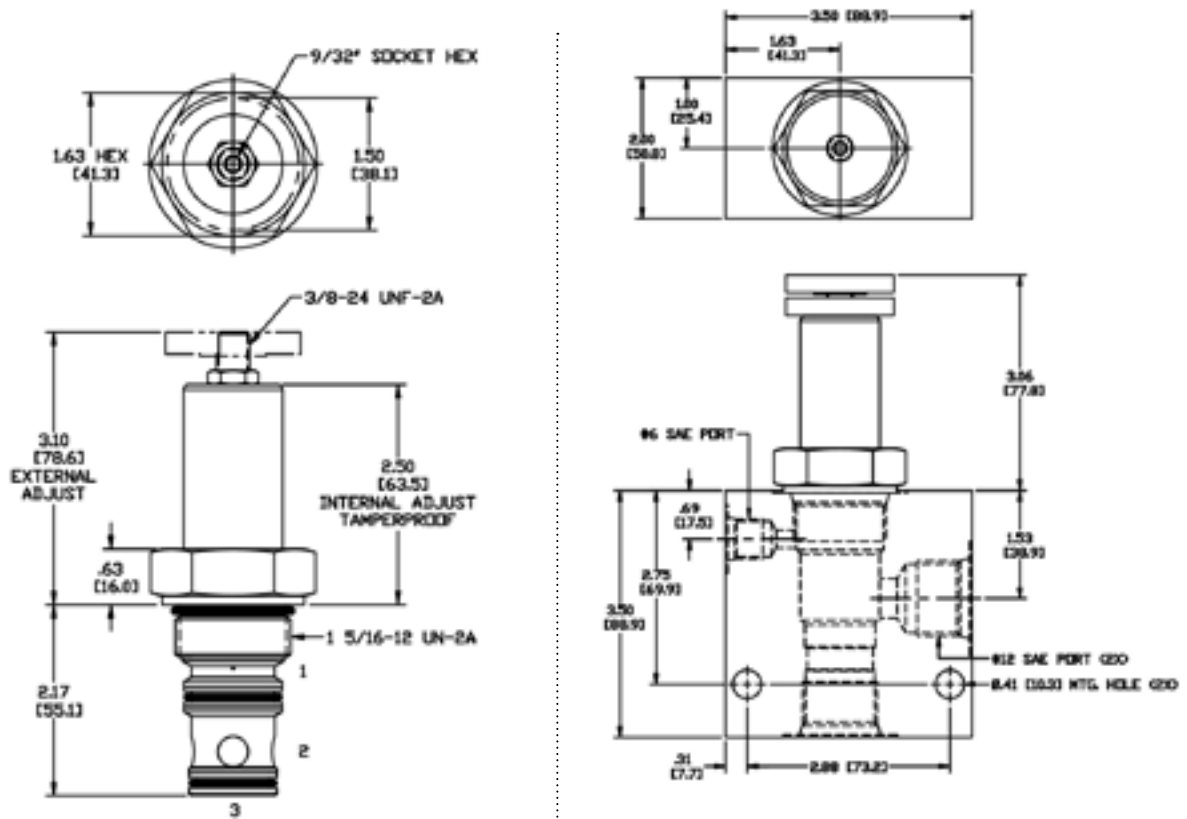


4484 Boeing Drive Rockford, IL 61109 • USA • Phone +1 (815) 397-6628 • Fax +1 (815) 397-2526  
 mail: delta@delta-power.com • www.delta-power.com



Via Malvolti, 36 • 41122 Modena • ITALY • Phone +39 (059) 254895 • Fax +39 (059) 253512  
 mail: tecnord@tecnord.com • www.tecnord.com

DIMENSIONS



Body Weight: 1.89 lbs (.86 kg)

ORDERING INFORMATION

<p><b>SL-PWA</b> -</p> <p><b>OPTIONS</b></p> <p>Buna Standard <b>00</b></p> <p>Viton Standard <b>V0</b></p> <p>Buna, Knob <b>0K</b></p> <p>Viton, Knob <b>VK</b></p> <p>Buna, Internal Adjust <b>0I</b></p> <p>Viton, Internal Adjust <b>VI</b></p> <p>Buna, Tamper Proof <b>0T</b></p> <p>Viton, Tamper Proof <b>VT</b></p>	<p>-</p> <p>-</p> <p>-</p>	<p><b>BODIES</b></p> <p>Blank Without Body</p> <p><b>S</b> #12 SAE Ports</p> <p><b>PRESSURE RANGE/SETTING</b></p> <p><b>3000</b> 500-3000 PSI</p>
--	----------------------------	---

**Tamper Proof**  
 Fill in 4 Digit Pressure Setting  
 Example: 2000 = 2000 PSI

W 12 / 2020

**WARNING:** the specifications/application data shown in our catalogs and data sheets are intended only as a general guide for the product described (herein). Any specific application should not be undertaken without independent study, evaluation, and testing for suitability.



4484 Boeing Drive Rockford, IL 61109 • USA • Phone +1 (815) 397-6628 • Fax +1 (815) 397-2526  
 mail: delta@delta-power.com • www.delta-power.com



Via Malavolti, 36 • 41122 Modena • ITALY • Phone +39 (059) 254895 • Fax +39 (059) 253512  
 mail: tecnord@tecnord.com • www.tecnord.com