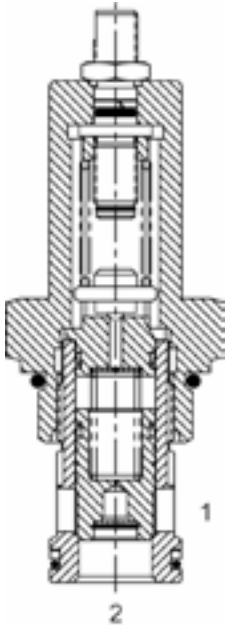


SJ-RVR PILOT OPERATED RELIEF VALVE, WITH REVERSE FLOW



DESCRIPTION

16 size, 1 5/16-12 thread, "Super" series, pilot operated relief valve with reverse flow.

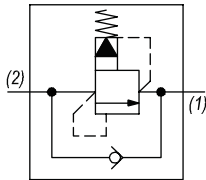
OPERATION

The SJ-RVR blocks flow from (2) to (1) until sufficient pressure is present at (2) to force the pilot stage off its seat, allowing the main stage spool to shift, opening (2) to (1). The relief flow path is from (2) to (1). Reverse flow, from (1) to (2), occurs when the pressure at (1) is at least 30 PSI (2.1 bar) higher than at port (2). The Cartridge offers smooth transition in response to load changes in common hydraulic circuits.

FEATURES

- Hardened parts for long life.
- Industry common cavity.

HYDRAULIC SYMBOL

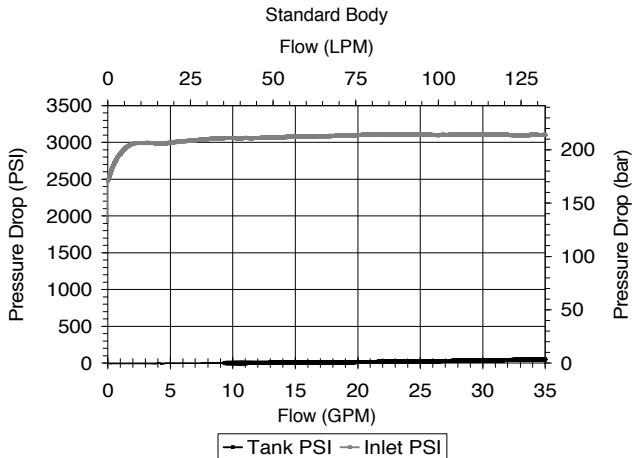
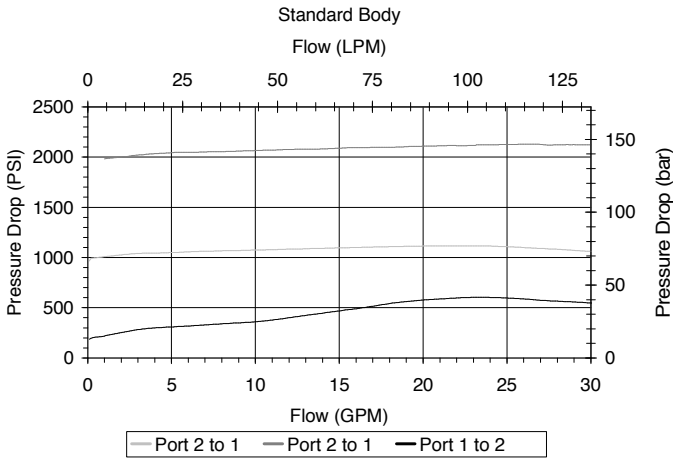


PERFORMANCE

Actual Test Data (Cartridge Only)

VALVE SPECIFICATIONS

| | |
|-------------------------------|---------------------------------|
| Nominal Flow | 40 GPM (151 LPM) |
| Rated Operating Pressure | 3500 PSI (241 bar) |
| Viscosity Range | 36 to 3000 SSU (3 to 647 cSt) |
| Filtration | ISO 18/16/13 |
| Media Operating Temp. Range | -40° to 250°F (-40° to 120°C) |
| Weight | 1.13 lbs (.51 kg) |
| Operating Fluid Media | General Purpose Hydraulic Fluid |
| Cartridge Torque Requirements | 90 ft-lbs (122 Nm) |
| Cavity | SUPER 2W |
| Cavity Form Tool (Finishing) | 40500017 |
| Seal Kit | 21191400 |



WARNING: the specifications/application data shown in our catalogs and data sheets are intended only as a general guide for the product described (herein). Any specific application should not be undertaken without independent study, evaluation, and testing for suitability.

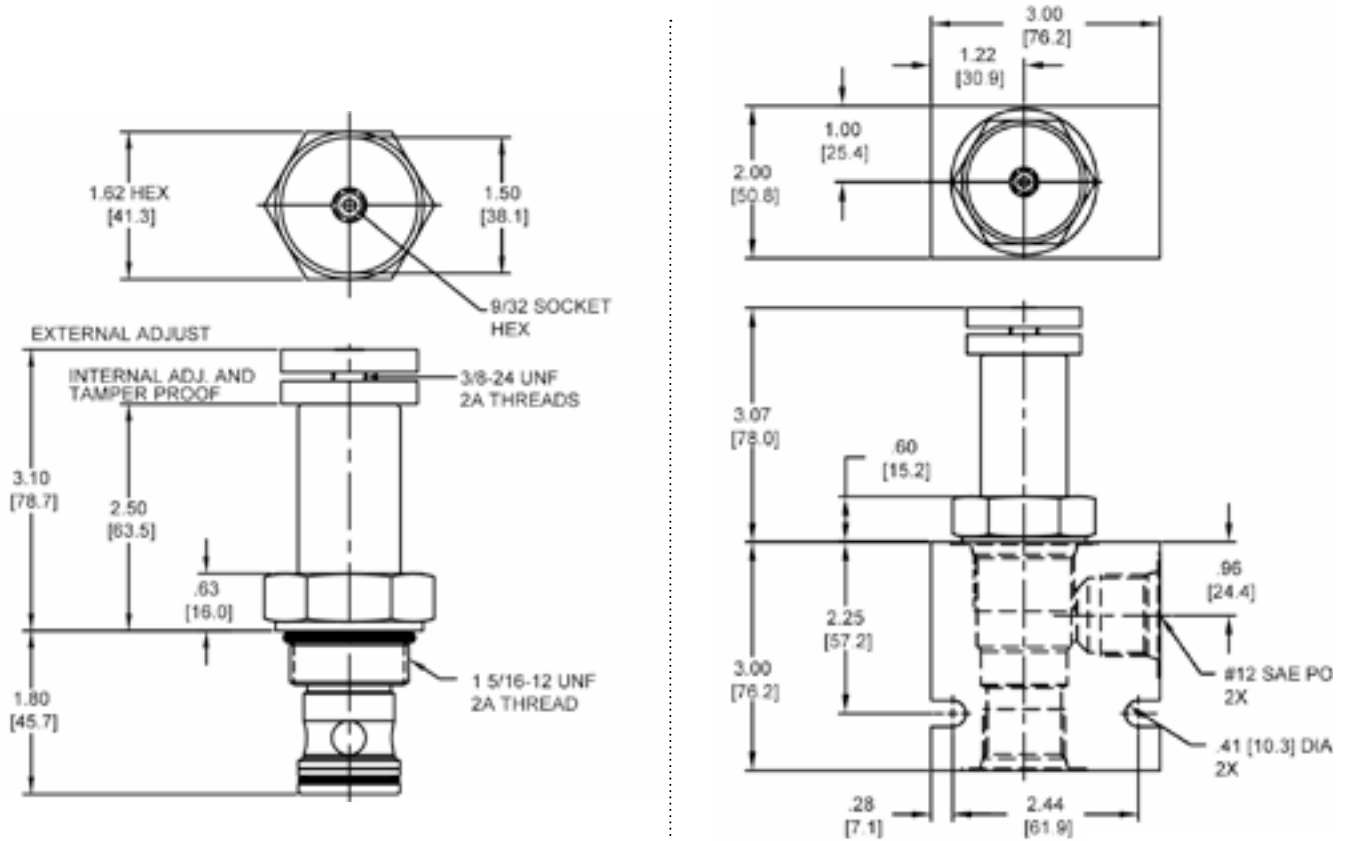


4484 Boeing Drive Rockford, IL 61109 • USA • Phone +1 (815) 397-6628 • Fax +1 (815) 397-2526
 mail: delta@delta-power.com • www.delta-power.com



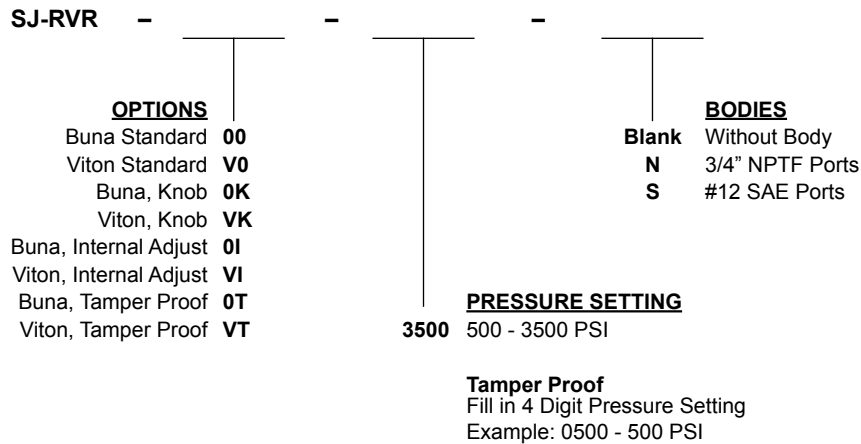
Via Malavolti, 36 • 41122 Modena • ITALY • Phone +39 (059) 254895 • Fax +39 (059) 253512
 mail: tecnord@tecnord.com • www.tecnord.com

DIMENSIONS



Body Weight: 1.29 lbs (.59 kg)

ORDERING INFORMATION



W 12 / 2020

WARNING: the specifications/application data shown in our catalogs and data sheets are intended only as a general guide for the product described (herein). Any specific application should not be undertaken without independent study, evaluation, and testing for suitability.



4484 Boeing Drive Rockford, IL 61109 • USA • Phone +1 (815) 397-6628 • Fax +1 (815) 397-2526
mail: delta@delta-power.com • www.delta-power.com



Via Malavolti, 36 • 41122 Modena • ITALY • Phone +39 (059) 254895 • Fax +39 (059) 253512
mail: tecnord@tecnord.com • www.tecnord.com