

**DE-MCB MANUAL POPPET VALVE, 2 WAY NORMALLY CLOSED, PULL, DETENT**

**DESCRIPTION**

10 size, 7/8-14 thread, "Delta" series, manual poppet valve, 2 way normally closed, pull with detent.

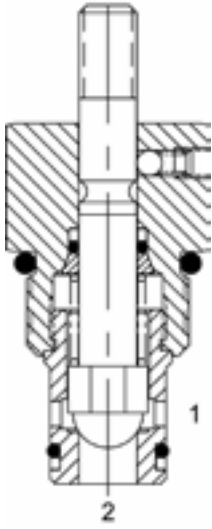
**OPERATION**

The DE-MCB blocks flow from (1) to (2) until an operator pulls the shaft outward. The bias spring allows for backpressure at (2) before the valve will open (see option page for pressure).

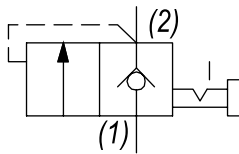
Note: pressure at port (2) will directly act on the spool and spring. Port (2) is intended to be a tank port only.

**FEATURES**

- Hardened parts for long life.
- Industry common cavity.
- Optional bias springs for backpressure application flexibility.



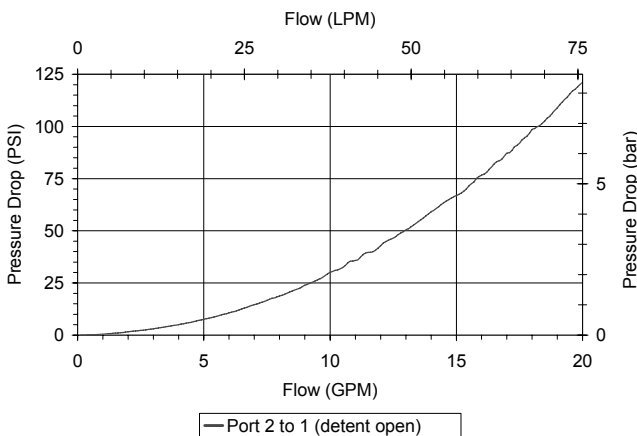
**HYDRAULIC SYMBOL**



*65 PSI bias provides comfortable effort where return line is near zero. 160 PSI option may be difficult to pull, if tank pressure is near zero. Pressure above SPRING BIAS PRESSURE at port (2) may cause valve to self open.*

**PERFORMANCE**

Actual Test Data (Cartridge Only)



**VALVE SPECIFICATIONS**

Nominal Flow	20 GPM (76 LPM)
Rated Operating Pressure	3500 PSI (241 bar)
Typical Internal Leakage (150 SSU)	5 drops/min
Viscosity Range	36 to 3000 SSU (3 to 647 cSt)
Filtration	ISO 18/16/13
Media Operating Temp. Range	-40° to 250°F (-40° to 120°C)
Weight	.28 lbs (.13 kg)
Operating Fluid Media	General Purpose Hydraulic Fluid
Cartridge Torque Requirements	30 ft-lbs (40.6 Nm)
Cavity	DELTA 2W
Cavity Form Tool (Finishing)	40500000
Seal Kit	21191200

**WARNING:** the specifications/application data shown in our catalogs and data sheets are intended only as a general guide for the product described (herein). Any specific application should not be undertaken without independent study, evaluation, and testing for suitability.

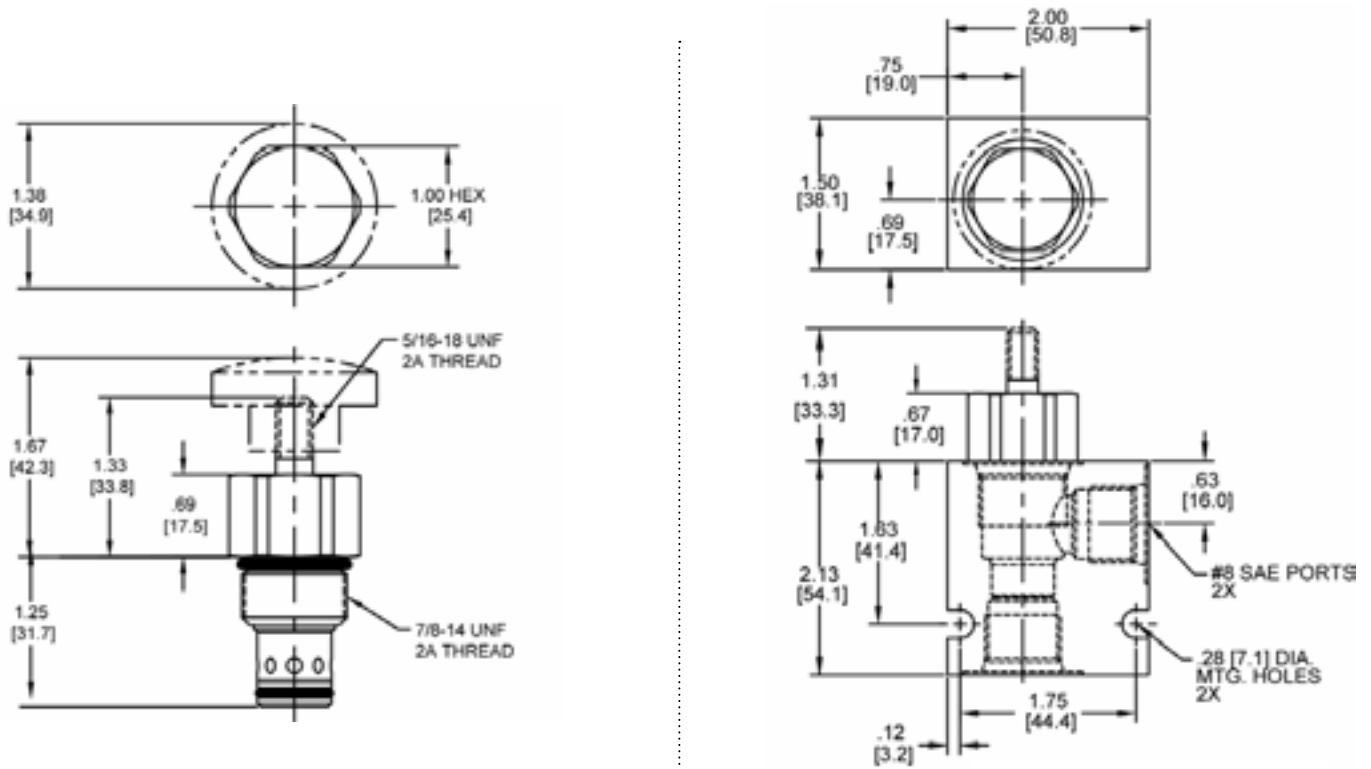


4484 Boeing Drive Rockford, IL 61109 • USA • Phone +1 (815) 397-6628 • Fax +1 (815) 397-2526  
mail: delta@delta-power.com • www.delta-power.com



Via Malavolti, 36 • 41122 Modena • ITALY • Phone +39 (059) 254895 • Fax +39 (059) 253512  
mail: tecnord@tecnord.com • www.tecnord.com

**DIMENSIONS**



Body Weight: .47 lbs (.21 kg)

**ORDERING INFORMATION**

DE-MCB - - -

**OPTIONS**

- Buna Standard **00**
- Viton Standard **V0**
- Buna, Screen **A0**
- Viton, Screen **W0**
- Buna, Knob **0K**
- Viton, Knob **VK**
- Buna, Knob, Screen **AK**
- Viton, Knob, Screen **WK**

**BODIES**

- Blank Without Body
- N** 3/8" NPTF Ports
- S** #8 SAE Ports

**SPRING BIAS PRESSURE**

- 0065** 65 PSI
- 0160** 160 PSI

Note: use screen only if flow direction is from (1) to (2).

Note: pressure above SPRING BIAS PRESSURE at port (2) may cause valve to self open.

W14 / 2018

**WARNING:** the specifications/application data shown in our catalogs and data sheets are intended only as a general guide for the product described (herein). Any specific application should not be undertaken without independent study, evaluation, and testing for suitability.



4484 Boeing Drive Rockford, IL 61109 • USA • Phone +1 (815) 397-6628 • Fax +1 (815) 397-2526  
 mail: delta@delta-power.com • www.delta-power.com



Via Malavolti, 36 • 41122 Modena • ITALY • Phone +39 (059) 254895 • Fax +39 (059) 253512  
 mail: tecnord@tecnord.com • www.tecnord.com