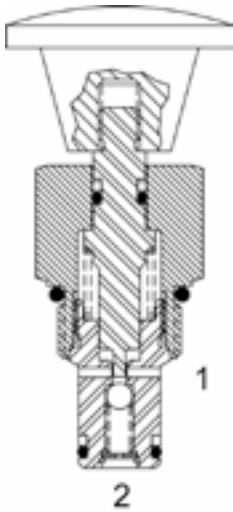


**HB-MCP 2 WAY MANUAL VALVE, NORMALLY CLOSED, PUSH TYPE**



**DESCRIPTION**

8 size, 3/4-16 thread, "Power" series, manual valve, 2 way normally closed, push type.

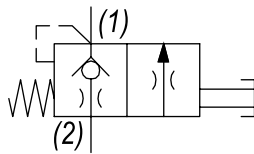
**OPERATION**

The HB-MCP blocks flow from (2) to (1) until an operator pushes the knob in allowing pressure at port #2 to drop to port #1 pressure.

**FEATURES**

- Hardened parts for long life.
- Industry common cavity.

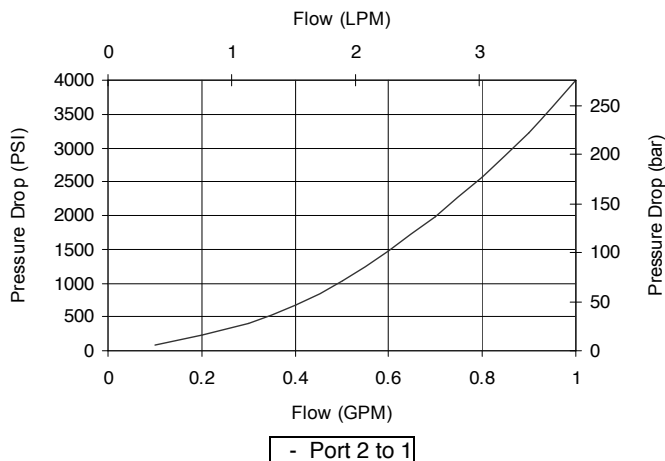
**HYDRAULIC SYMBOL**



Good as a pilot dump valve. Port #1 should be limited to <500 PSI to allow actuation (50 lbs), Port #2 actuation load at 4000 PSI (50 lbs).

**PERFORMANCE**

Actual Test Data (Cartridge Only)



**VALVE SPECIFICATIONS**

Nominal Flow	1 GPM (4 LPM)
Max. Operating Pressure	4000 PSI (276 bar)
Typical Internal Leakage (150 SSU)	5 drops/min
Viscosity Range	36 to 3000 SSU (3 to 647 cSt)
Filtration	ISO 18/16/13
Media Operating Temp. Range	32° to 160°F (0° to 70°C)
Weight	.14 lbs (.06 kg)
Operating Fluid Media	General Purpose Hydraulic Fluid
Cartridge Torque Requirements	25 ft-lbs (34 Nm)
Cavity	POWER 2W
Cavity Form Tool (Finishing)	40500005
Seal Kit	21191100

**WARNING:** the specifications/application data shown in our catalogs and data sheets are intended only as a general guide for the product described (herein). Any specific application should not be undertaken without independent study, evaluation, and testing for suitability.

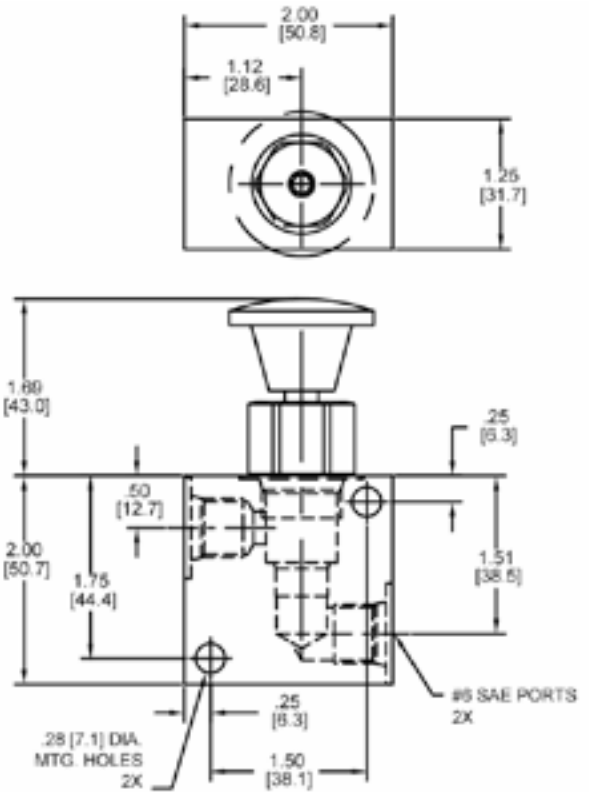
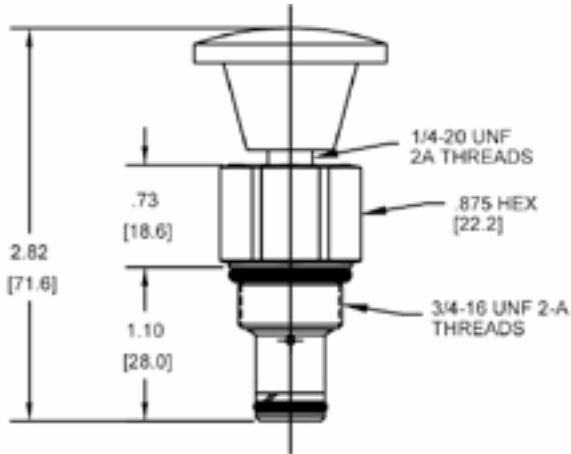


4484 Boeing Drive Rockford, IL 61109 • USA • Phone +1 (815) 397-6628 • Fax +1 (815) 397-2526  
 mail: delta@delta-power.com • www.delta-power.com



Via Malavolti, 36 • 41122 Modena • ITALY • Phone +39 (059) 254895 • Fax +39 (059) 253512  
 mail: tecnord@tecnord.com • www.tecnord.com

**DIMENSIONS**



Body Weight: .39 lbs (.18 kg)

**ORDERING INFORMATION**

HB-MCP		-	-
<b>OPTIONS</b>			<b>BODIES</b>
Buna, Knob	<b>OK</b>		Blank
Viton, Knob	<b>VK</b>		<b>N</b> 1/4" NPTF Ports
			<b>S</b> #6 SAE Ports

**Note: aluminum NOT durability rated for 4000 PSI. Consult factory for options.**

W14 / 2018

**WARNING:** the specifications/application data shown in our catalogs and data sheets are intended only as a general guide for the product described (herein). Any specific application should not be undertaken without independent study, evaluation, and testing for suitability.



4484 Boeing Drive Rockford, IL 61109 • USA • Phone +1 (815) 397-6628 • Fax +1 (815) 397-2526  
 mail: delta@delta-power.com • www.delta-power.com



Via Malavolti, 36 • 41122 Modena • ITALY • Phone +39 (059) 254895 • Fax +39 (059) 253512  
 mail: tecnord@tecnord.com • www.tecnord.com