

PB-S2F PILOT OPERATED POPPET, 2 WAY NORMALLY CLOSED, SOFT SEAT

DESCRIPTION

8 size, 3/4-16 thread, "Power" series, solenoid operated, 2 way normally closed, pilot operated soft seat poppet valve with reverse flow de-energized.

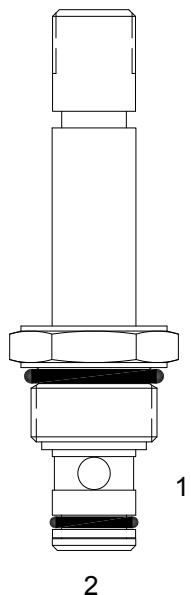
OPERATION

When de-energized the PB-S2F blocks flow from (1) to (2) and allows reverse flow from (2) to (1). When energized the valve allows flow from (1) to (2) and restrict flow from (2) to (1).

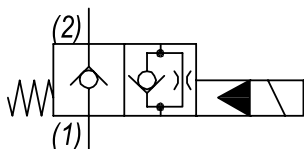
OPERATION OF MANUAL OVERRIDE OPTION: to override, pull knob out. On the detented version, after pulling knob out twist 180 degrees and release. The valve will remain in that position.

FEATURES

- Soft seat for ultra low leakage.
- Efficient wet-armature construction.
- Cartridges are voltage interchangeable.
- Manual override option.
- Industry common cavity.
- Unitized, molded coil design.
- Continuous duty rated solenoid.
- Optional coil voltages and terminations.
- Optional "I" Coil: Weatherproof, Thermal Shock, Immersion Safe.



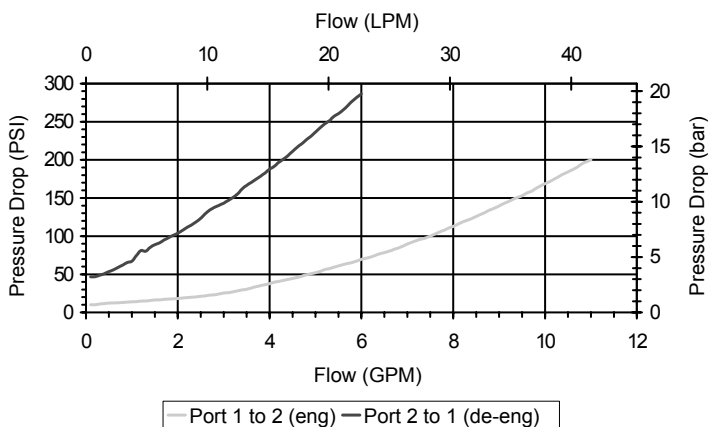
HYDRAULIC SYMBOL



Operational shift limit is 6 GPM (23 LPM).
For shifted performance consult chart.

PERFORMANCE

Actual Test Data (Cartridge Only)



VALVE SPECIFICATIONS

Maximum Flow	6 GPM (23 LPM)
Rated Operating Pressure	2500 PSI (172 bar)
Typical Internal Leakage (150 SSU)	Negligible
Viscosity Range	36 to 3000 SSU (3 to 647 cSt)
Filtration	ISO 18/16/13
Media Operating Temp. Range	-35° to 200°F (-37° to 93°C)
Weight	.19 lbs (.08 kg)
Operating Fluid Media	General Purpose Hydraulic Fluid
Cartridge Torque Requirements	25 ft-lbs (34 Nm)
Coil Nut Torque Requirements	4-6 ft-lbs (5.4-8.1 Nm)
Cavity	POWER 2W
Cavity Tools Kit	
(form tool, reamer, tap)	40500005
Seal Kit	21191100

WARNING: the specifications/application data shown in our catalogs and data sheets are intended only as a general guide for the product described (herein). Any specific application should not be undertaken without independent study, evaluation, and testing for suitability.

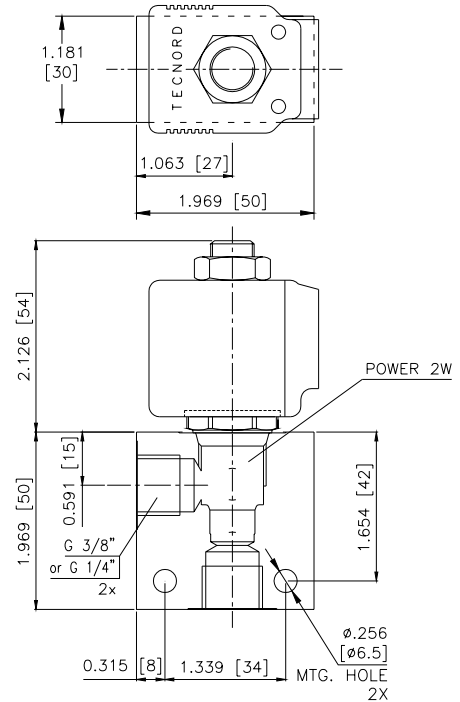
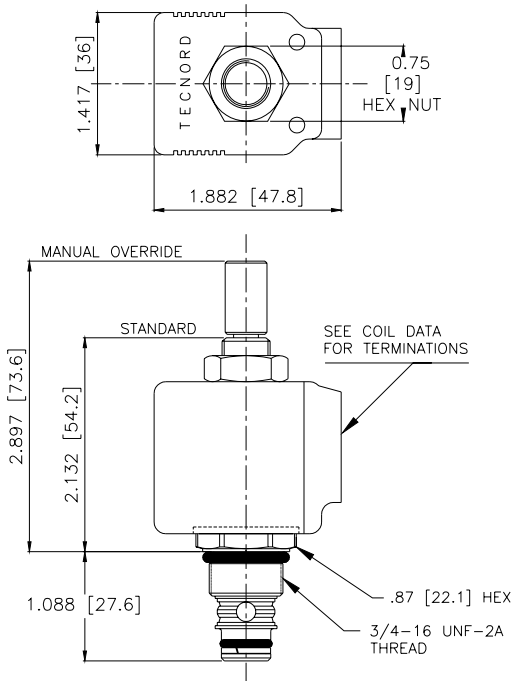


4484 Boeing Drive Rockford, IL 61109 • USA • Phone +1 (815) 397-6628 • Fax +1 (815) 397-2526
mail: delta@delta-power.com • www.delta-power.com



Via Malavolti, 36 • 41122 Modena • ITALY • Phone +39 (059) 254895 • Fax +39 (059) 253512
mail: tecnord@tecnord.com • www.tecnord.com

DIMENSIONS



ORDERING INFORMATION

Approximate Coil Weight: .42 lbs (.19 kg)

PB-S2F

- OPTIONS**
- Buna Standard **00**
 - Viton Standard **V0**
 - Buna, Override, Detent **0M**
 - Viton, Override, Detent **VM**
 - Buna, Screen **A0**
 - Viton, Screen **W0**
 - Buna, Override, Non-Detent **B1**
 - Viton, Override, Non-Detent **V1**
 - Buna, Screen, Override, Non-Detent **B3**
 - Viton, Screen, Override, Non-Detent **V3**
 - Buna, Screen, Override, Detent **B4**
 - Viton, Screen, Override, Detent **V4**

Note: use screen only if flow direction is from (1) to (2)

- BODIES**
- Blank** Without Body
 - N** 1/4" BSP Ports
 - N1** 3/8" BSP Ports
 - S** #6 SAE Ports

- VOLTAGE** (other voltages available on request)
- 12** 12 VDC
 - 24** 24 VDC
 - 22** 220 VAC without internal rectifier

"P" TYPE "J" COIL TERMINATION

- JA** "J" Coil AMP Superseal - Integral
- JD** "J" Coil Deutsch - Integral DT04-2P

JJ "J" Coil AMP Jr. Time - Integral

- JL** "J" Coil Double Lead
- JH** "J" Coil DIN 43650 (Hirschmann)

W 9 / 2020

WARNING: the specifications/application data shown in our catalogs and data sheets are intended only as a general guide for the product described (herein). Any specific application should not be undertaken without independent study, evaluation, and testing for suitability.



4484 Boeing Drive Rockford, IL 61109 • USA • Phone +1 (815) 397-6628 • Fax +1 (815) 397-2526
 mail: delta@delta-power.com • www.delta-power.com



Via Malavolti, 36 • 41122 Modena • ITALY • Phone +39 (059) 254895 • Fax +39 (059) 253512
 mail: tecnord@tecnord.com • www.tecnord.com