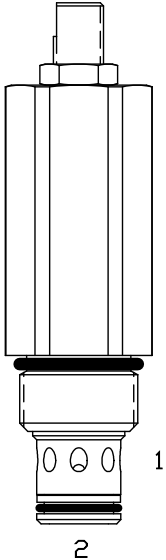


**HE-RWP RAPID RESPONSE, PILOT OPERATED RELIEF VALVE**



**DESCRIPTION**

High Pressure, High Flow, Rapid Response, 10 size, 7/8-14 thread, "Delta" series, pilot operated relief valve.

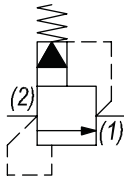
**OPERATION**

The HE-RWP blocks flow from (2) to (1) until sufficient pressure is present at (2) to force the pilot stage open, allowing the main stage to shift, opening (2) to (1).

**FEATURES**

- High pressure valve.
- Hardened parts for long life.
- Industry common cavity.
- Rapid response to sudden pressure application.
- Excellent regulation of pressure with flow (low override).

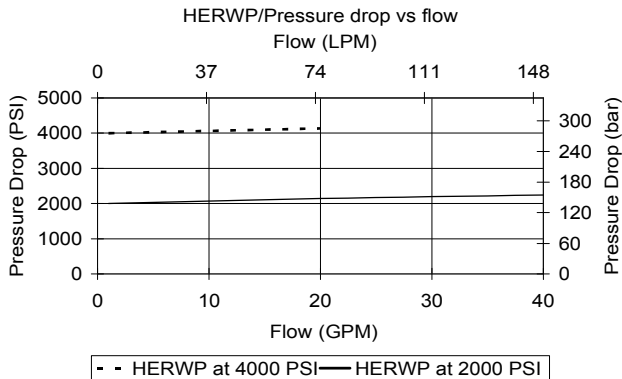
**HYDRAULIC SYMBOL**



*This is a rapid response, high pressure relief valve with excellent high flow regulation. Consult factory for higher flow capacity cavity option.*

**PERFORMANCE**

Actual Test Data (Cartridge Only)



**VALVE SPECIFICATIONS**

Nominal Flow	40 GPM (151 LPM)
Rated Operating Pressure	5000 PSI (345 bar)
Viscosity Range	36 to 3000 SSU (3 to 647 cSt)
Filtration	ISO 18/16/13
Media Operating Temp. Range	-40° to 250°F (-40° to 120°C)
Weight	.53 lbs (.24 kg)
Operating Fluid Media	General Purpose Hydraulic Fluid
Cartridge Torque Requirements	30 ft-lbs (40.6 Nm)
Cavity	DELTA 2W
Cavity Form Tool (Finishing)	40500000
Seal Kit	21191200

**WARNING:** the specifications/application data shown in our catalogs and data sheets are intended only as a general guide for the product described (herein). Any specific application should not be undertaken without independent study, evaluation, and testing for suitability.

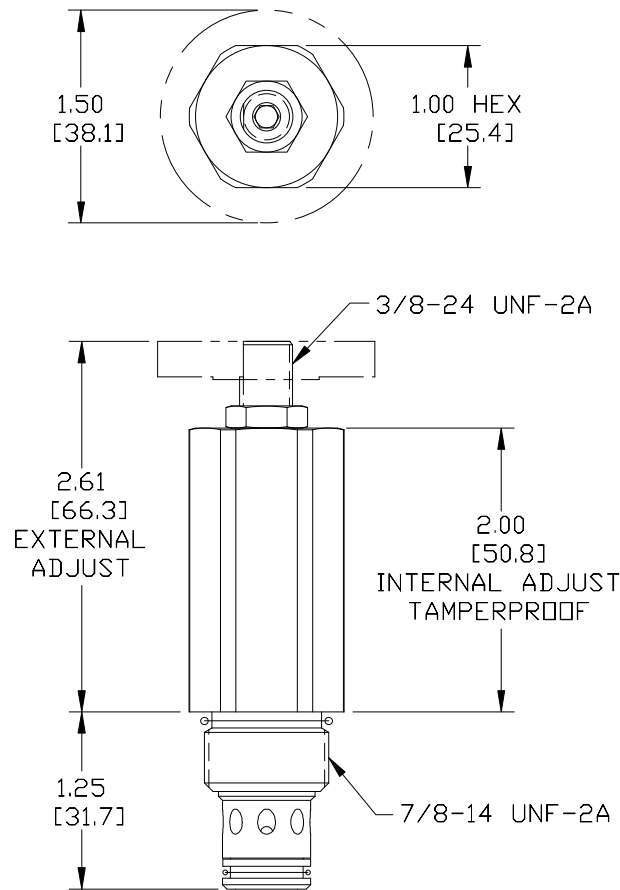


4484 Boeing Drive Rockford, IL 61109 • USA • Phone +1 (815) 397-6628 • Fax +1 (815) 397-2526  
mail: delta@delta-power.com • www.delta-power.com

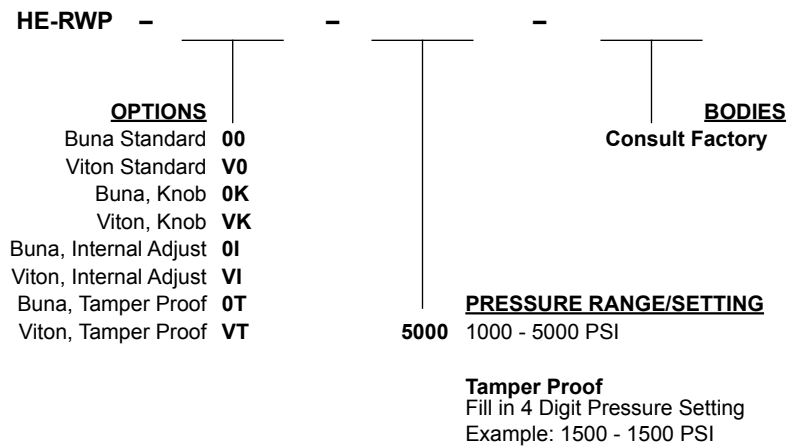


Via Malavolti, 36 • 41122 Modena • ITALY • Phone +39 (059) 254895 • Fax +39 (059) 253512  
mail: tecnord@tecnord.com • www.tecnord.com

**DIMENSIONS**



**ORDERING INFORMATION**



**WARNING**  
DO NOT USE ALUMINUM BODY  
HIGH PRESSURE (5000 PSI) PRODUCT

W 12 / 2020

**WARNING:** the specifications/application data shown in our catalogs and data sheets are intended only as a general guide for the product described (herein). Any specific application should not be undertaken without independent study, evaluation, and testing for suitability.



4484 Boeing Drive Rockford, IL 61109 • USA • Phone +1 (815) 397-6628 • Fax +1 (815) 397-2526  
mail: delta@delta-power.com • www.delta-power.com



Via Malavolti, 36 • 41122 Modena • ITALY • Phone +39 (059) 254895 • Fax +39 (059) 253512  
mail: tecnord@tecnord.com • www.tecnord.com