

HB-S2D PILOT OPERATED POPPET, 2 WAY NORMALLY OPEN WITH REVERSE FLOW DE-ENERGIZED

DESCRIPTION

8 size, 3/4-16 thread, "Power" series, solenoid operated, 2 way normally open, pilot operated poppet valve with reverse flow energized and de-energized.

OPERATION

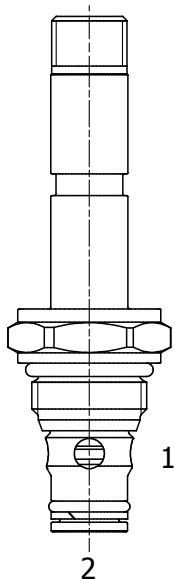
When de-energized the HB-S2D allows flow from (1) to (2) or from (2) to (1). When energized the valve blocks flow from (1) to (2) and allows flow from (2) to (1).

PUSH TYPE MANUAL OVERRIDE OPTION: to override, push the manual override button.

SCREW TYPE MANUAL OVERRIDE OPTION: to override, turn the manual override screw clockwise. To release, turn the manual override screw counterclockwise.

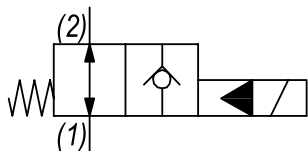
FEATURES

- Hardened parts for long life.
- Efficient wet-armature construction.
- Cartridges are voltage interchangeable.
- Manual override option.
- Industry common cavity.
- Unitized, molded coil design.
- Continuous duty rated solenoid.
- Optional coil voltages and terminations.



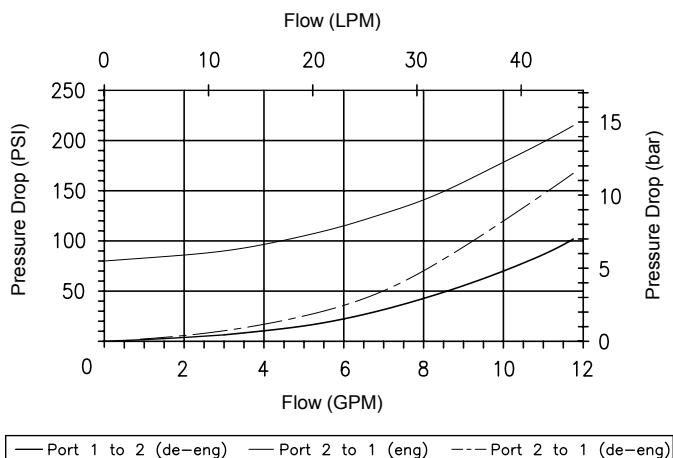
Zinc Nickel plating on all exposed surfaces (>500hours corrosion resistance).

HYDRAULIC SYMBOL



PERFORMANCE

Actual Test Data (Cartridge Only)



VALVE SPECIFICATIONS

| | |
|------------------------------------|--|
| Nominal Flow | 12 GPM (45 LPM) |
| Rated Operating Pressure | 5000 PSI (345 bar) |
| Typical Internal Leakage (150 SSU) | 0-5 drops/min at 5000 PSI (345 bar) |
| Viscosity Range | 36 to 3000 SSU (3 to 647 cSt) |
| Filtration | ISO 18/16/13 |
| Media Operating Temp. Range | -40° to 210°F (-40° to 100°C) BUNA seals -4° to 250°F (-20° to 120°C) VITON seals |
| Weight | .29 lbs (.13 kg) |
| Operating Fluid Media | General Purpose Hydraulic Fluid |
| Cartridge Torque Requirements | 30-35 ft-lbs (41-47 Nm) |
| Coil Nut Torque Requirements | 3-4.5 ft-lbs (4-6 Nm) |
| Cavity | POWER 2W |
| Cavity Tools Kit | 40500005 |
| Seal Kit | 21191100 |

WARNING: the specifications/application data shown in our catalogs and data sheets are intended only as a general guide for the product described (herein). Any specific application should not be undertaken without independent study, evaluation, and testing for suitability.

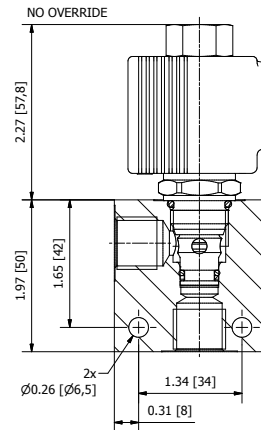
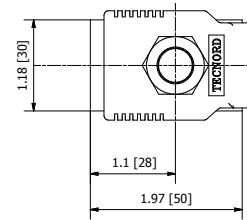
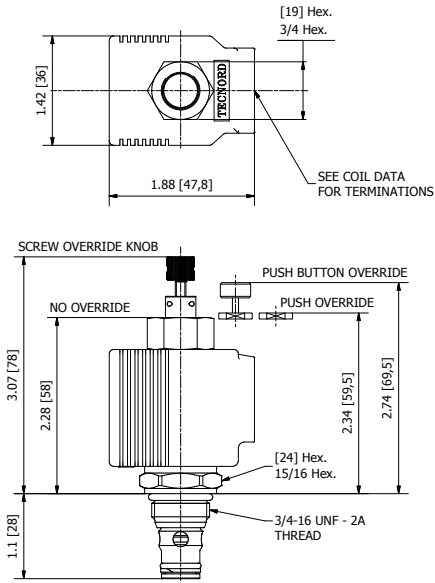


4484 Boeing Drive Rockford, IL 61109 • USA • Phone +1 (815) 397-6628 • Fax +1 (815) 397-2526
mail: delta@delta-power.com • www.delta-power.com



Via Malavolti, 36 • 41122 Modena • ITALY • Phone +39 (059) 254895 • Fax +39 (059) 253512
mail: tecnord@tecnord.com • www.tecnord.com

DIMENSIONS



ORDERING INFORMATION

Approximate Coil Weight: .42 lbs (.19 kg)

HB-S2D

- OPTIONS**
- Buna Standard **00**
 - Viton Standard **V0**
 - Buna, Push Pin, Override **0P**
 - Viton, Push Pin, Override **VP**
 - Buna, Push Button, Override **0B**
 - Viton, Push Button, Override **VB**
 - Buna, Screw, Override **0K**
 - Viton, Screw, Override **VK**

- BODIES**
- Blank Without Body
 - N** 1/4" BSP Ports (aluminum)
 - N1** 3/8" BSP Ports (aluminum)
 - S** #6 SAE Ports
 - H** 1/4" BSP Ports (steel)
 - H1** 3/8" BSP Ports (steel)

Note: Aluminum bodies only for use up to 250 bar

VOLTAGE (other voltages available on request)

- 12** 12 VDC
- 24** 24 VDC
- 26** 26 VDC

"P" TYPE "J" COIL TERMINATION

- JA** "J" Coil AMP Superseal - Integral
- JD** "J" Coil Deutsch - Integral DT04-2P

JJ "J" Coil AMP Jr. Time - Integral

- JL** "J" Coil Double Lead
- JH** "J" Coil DIN 43650 (Hirschmann)

W 9 / 2020

WARNING: the specifications/application data shown in our catalogs and data sheets are intended only as a general guide for the product described (herein). Any specific application should not be undertaken without independent study, evaluation, and testing for suitability.



4484 Boeing Drive Rockford, IL 61109 • USA • Phone +1 (815) 397-6628 • Fax +1 (815) 397-2526
 mail: delta@delta-power.com • www.delta-power.com



Via Malavolti, 36 • 41122 Modena • ITALY • Phone +39 (059) 254895 • Fax +39 (059) 253512
 mail: tecnord@tecnord.com • www.tecnord.com