

**PP-FCQ ADJUSTABLE PRIORITY FLOW CONTROL VALVE**

**DESCRIPTION**

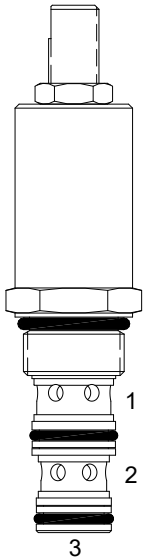
8 size, 3/4-16 thread, "Power" series, adjustable priority flow control valve.

**OPERATION**

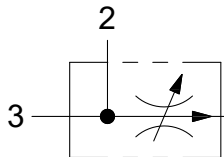
The PP-FCQ allows pressure compensated flow from (3) to (1) regulated by the pressure present at (3). Excess flow bypasses out (2).

**FEATURES**

- Hardened parts for long life.
- Industry common cavity.



**HYDRAULIC SYMBOL**



*Test data shown on this sheet, for condition of port (2) to tank. Data on next page, for condition of port (3) to tank.*

**PERFORMANCE**

Actual Test Data (Cartridge Only)

**VALVE SPECIFICATIONS**

Nominal Flow	5 GPM (19 LPM)
Rated Operating Pressure	3500 PSI (241 bar)
Viscosity Range	36 to 3000 SSU (3 to 647 cSt)
Filtration	ISO 18/16/13
Media Operating Temp. Range	-40° to 250°F (-40° to 120°C)
Weight	.56 lbs (.25 kg)
Operating Fluid Media	General Purpose Hydraulic Fluid
Cartridge Torque Requirements	25 ft-lbs (33.8 Nm)
Cavity	POWER 3W
Cavity Form Tool (Finishing)	40500024
Seal Kit	21191106

**WARNING:** the specifications/application data shown in our catalogs and data sheets are intended only as a general guide for the product described (herein). Any specific application should not be undertaken without independent study, evaluation, and testing for suitability.

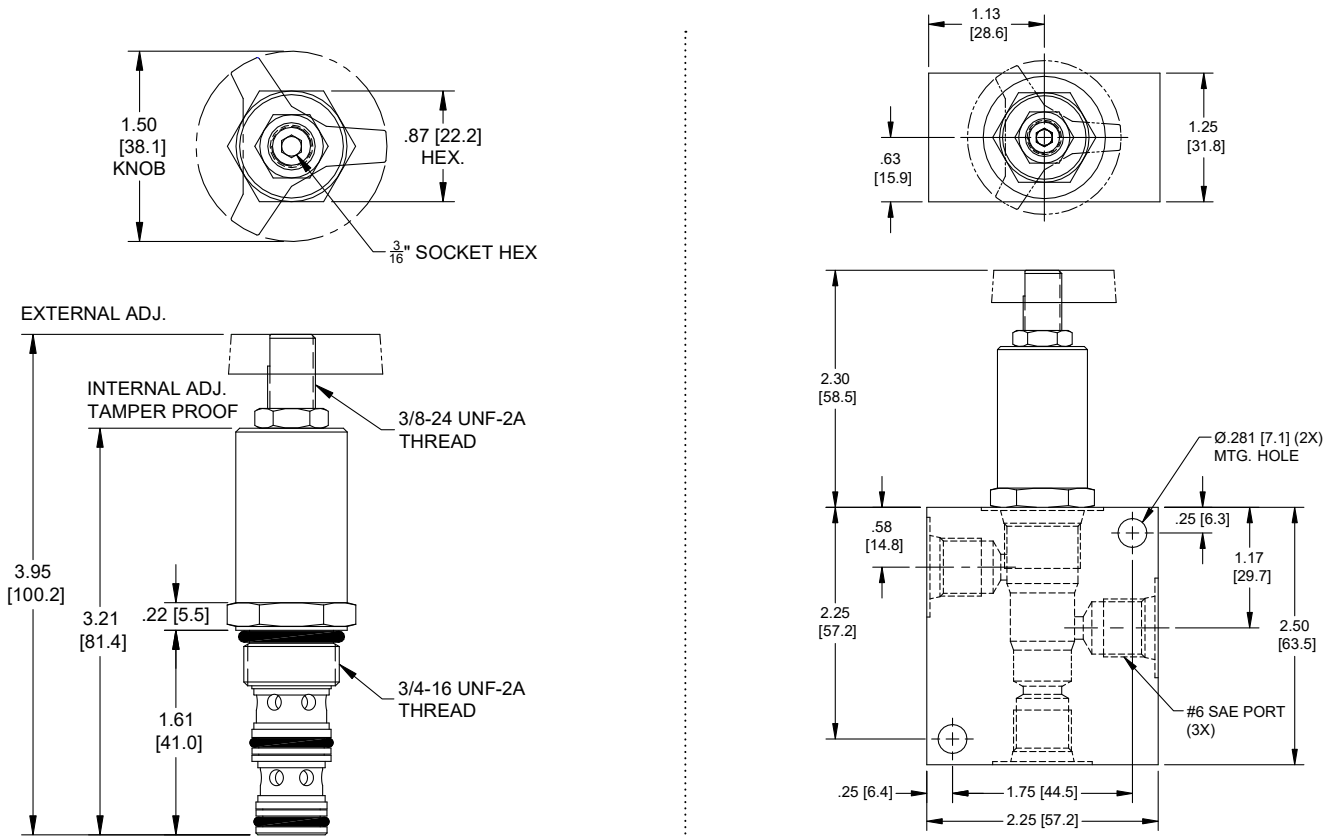


4484 Boeing Drive Rockford, IL 61109 • USA • Phone +1 (815) 397-6628 • Fax +1 (815) 397-2526  
 mail: delta@delta-power.com • www.delta-power.com



Via Malavolti, 36 • 41122 Modena • ITALY • Phone +39 (059) 254895 • Fax +39 (059) 253512  
 mail: tecnord@tecnord.com • www.tecnord.com

DIMENSIONS



Body Weight: .56 lbs (.25 kg)

ORDERING INFORMATION

PP-FCQ -

**OPTIONS**

- External Adjust w/Locknut, Buna **00**
- External Adjust w/Locknut, Viton **V0**
- Knob, Buna **0K**
- Knob, Viton **VK**
- Internal Adjust, Buna **0I**
- Internal Adjust, Viton **VI**
- Tamper Proof, Buna **0T**
- Tamper Proof, Viton **VT**

**BODIES**

- Blank** Without Body
- N** 1/4" NPTF Ports
- S** #6 SAE Ports

**FLOW**

- 0.50** .25 - .50 GPM
- 0.75** .50 - .75 GPM
- 1.25** .75 - 1.25 GPM
- 2.50** 1.25 - 2.50 GPM
- 5.00** 2.50 - 5.00 GPM

**Tamper Proof**

Fill in 4 Digit Flow Setting  
Example: 01.0 - 1.0 GPM

W 6 / 2020

**WARNING:** the specifications/application data shown in our catalogs and data sheets are intended only as a general guide for the product described (herein). Any specific application should not be undertaken without independent study, evaluation, and testing for suitability.



4484 Boeing Drive Rockford, IL 61109 • USA • Phone +1 (815) 397-6628 • Fax +1 (815) 397-2526  
mail: delta@delta-power.com • www.delta-power.com



Via Malavolti, 36 • 41122 Modena • ITALY • Phone +39 (059) 254895 • Fax +39 (059) 253512  
mail: tecnord@tecnord.com • www.tecnord.com