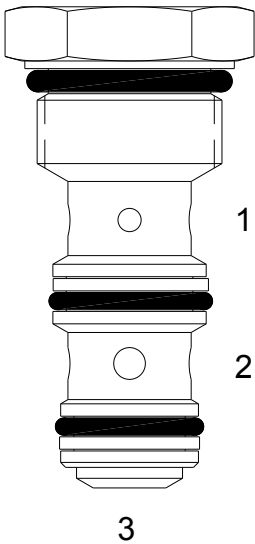


PP-CSB SHUTTLE VALVE



DESCRIPTION

8 size, 3/4-16 thread, "Power" series, shuttle valve.

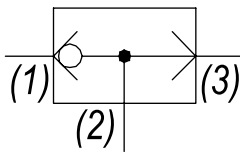
OPERATION

The PP-CSB allows flow from the higher pressure of (1) or (3) to (2). The valve is commonly used as a load sense to direct oil from the pressure side of a bidirectional hydraulic motor to a pressure released hydraulic brake.

FEATURES

- Hardened parts for long life.
- Industry common cavity.

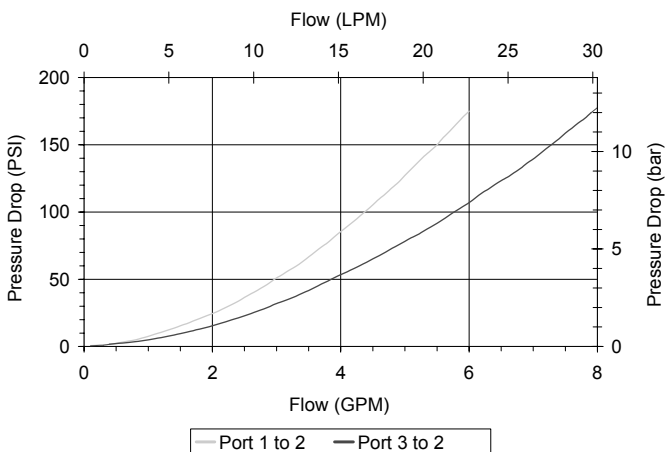
HYDRAULIC SYMBOL



*Tangency connections to cavity are not recommended.
Inlet to port (2) is not recommended.
Do not use orifice disk under cartridge valve.*

PERFORMANCE

Actual Test Data (Cartridge Only)



VALVE SPECIFICATIONS

Nominal Flow	6 GPM (23 LTR/M)
Rated Operating Pressure	3500 PSI (241 bar)
Typical Internal Leakage (150 SSU)	1 cu in/min (16 ml/min)
Viscosity Range	36 to 3000 SSU (3 to 647 cSt)
Filtration	ISO 18/16/13
Media Operating Temp. Range	-40° to 250°F (-40° to 120°C)
Weight	.16 lbs (.07 kg)
Operating Fluid Media	General Purpose Hydraulic Fluid
Cartridge Torque Requirements	25 ft-lbs (34 Nm)
Cavity	POWER 3W
Cavity Form Tool (Finishing)	40500024
Seal Kit	21191104

WARNING: the specifications/application data shown in our catalogs and data sheets are intended only as a general guide for the product described (herein). Any specific application should not be undertaken without independent study, evaluation, and testing for suitability.

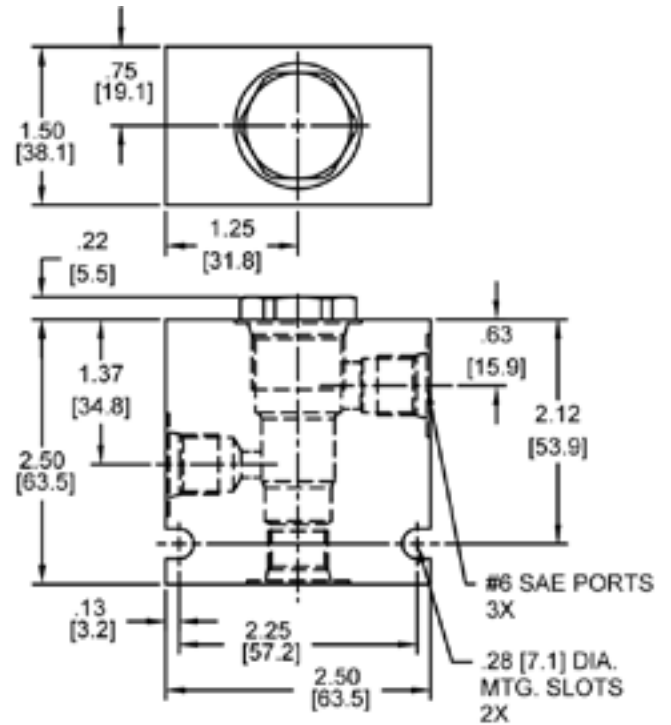
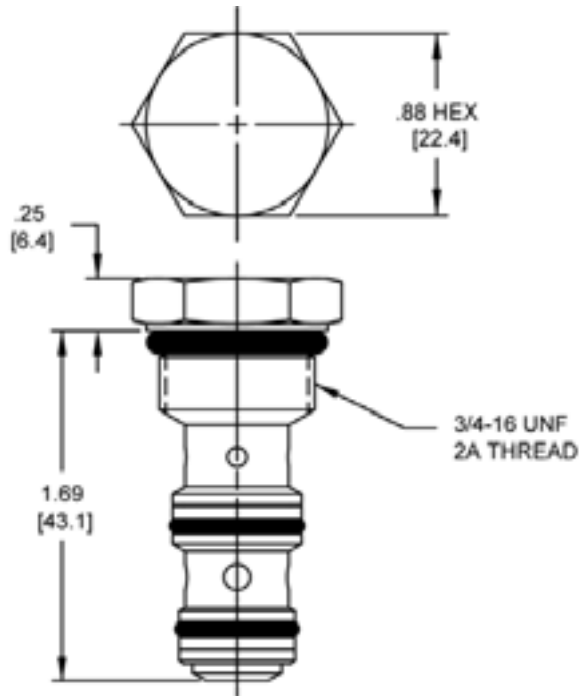


4484 Boeing Drive Rockford, IL 61109 • USA • Phone +1 (815) 397-6628 • Fax +1 (815) 397-2526
mail: delta@delta-power.com • www.delta-power.com



Via Malavolti, 36 • 41122 Modena • ITALY • Phone +39 (059) 254895 • Fax +39 (059) 253512
mail: tecnord@tecnord.com • www.tecnord.com

DIMENSIONS



Body Weight: .56 lbs (.25 kg)

ORDERING INFORMATION

PP-CSB -		-	
<u>OPTIONS</u>		<u>BODIES</u>	
Buna, Standard	00	Blank	Without Body
Viton, Standard	V0	N	1/4" NPTF Ports
		S	#6 SAE Ports

W14 / 2018

WARNING: the specifications/application data shown in our catalogs and data sheets are intended only as a general guide for the product described (herein). Any specific application should not be undertaken without independent study, evaluation, and testing for suitability.



4484 Boeing Drive Rockford, IL 61109 • USA • Phone +1 (815) 397-6628 • Fax +1 (815) 397-2526
 mail: delta@delta-power.com • www.delta-power.com



Via Malavolti, 36 • 41122 Modena • ITALY • Phone +39 (059) 254895 • Fax +39 (059) 253512
 mail: tecnord@tecnord.com • www.tecnord.com