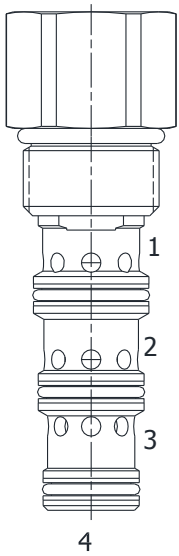


**HG-PDA PILOTED DIRECTIONAL VALVE, 4 WAY NORMALLY CLOSED**



**DESCRIPTION**

10 size, 7/8-14 thread, "Delta" series, 4 way piloted directional valve.

**OPERATION**

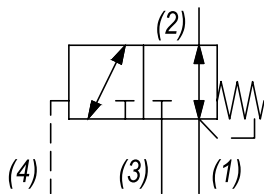
The HG-PDA in neutral (un-piloted), allows flow between (2) and (1) bi-directionally, while blocking at (3). The spring chamber is constantly vented at (1). On attainment of a predetermined pressure at (4), the cartridge redirects flow from (2) to (1), to (2) to (3).

Note: that the backpressure value at (1) must be added to the selected pressure setting to determine pilot pressure necessary to shift valve to second position.

**FEATURES**

- Hardened parts for long life.
- Industry common cavity

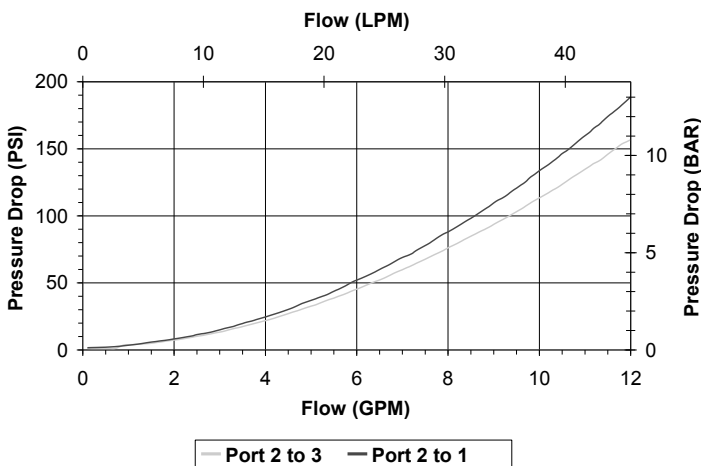
**HYDRAULIC SYMBOL**



.030 to .060 diameter orifice recommended beneath port (4).

**PERFORMANCE**

Actual Test Data (Cartridge Only)



**VALVE SPECIFICATIONS**

Nominal Flow	10 GPM (38 LTR/M)
Rated Operating Pressure	4000 PSI (276 bar)
Typical Internal Leakage (150 SSU)	8 cu in/min (82 ml/min)
Viscosity Range	36 to 3000 SSU (3 to 647 cSt)
Filtration	ISO 18/16/13
Media Operating Temp. Range	-40° to 250°F (-40° to 120°C)
Weight	.63 lbs (.28 kg)
Operating Fluid Media	General Purpose Hydraulic Fluid
Cartridge Torque Requirements	40 ft-lbs (40.6 Nm)
Cavity	DELTA 4W
Cavity Form Tool (Finishing)	40500002
Seal Kit	21191214

**WARNING:** the specifications/application data shown in our catalogs and data sheets are intended only as a general guide for the product described (herein). Any specific application should not be undertaken without independent study, evaluation, and testing for suitability.

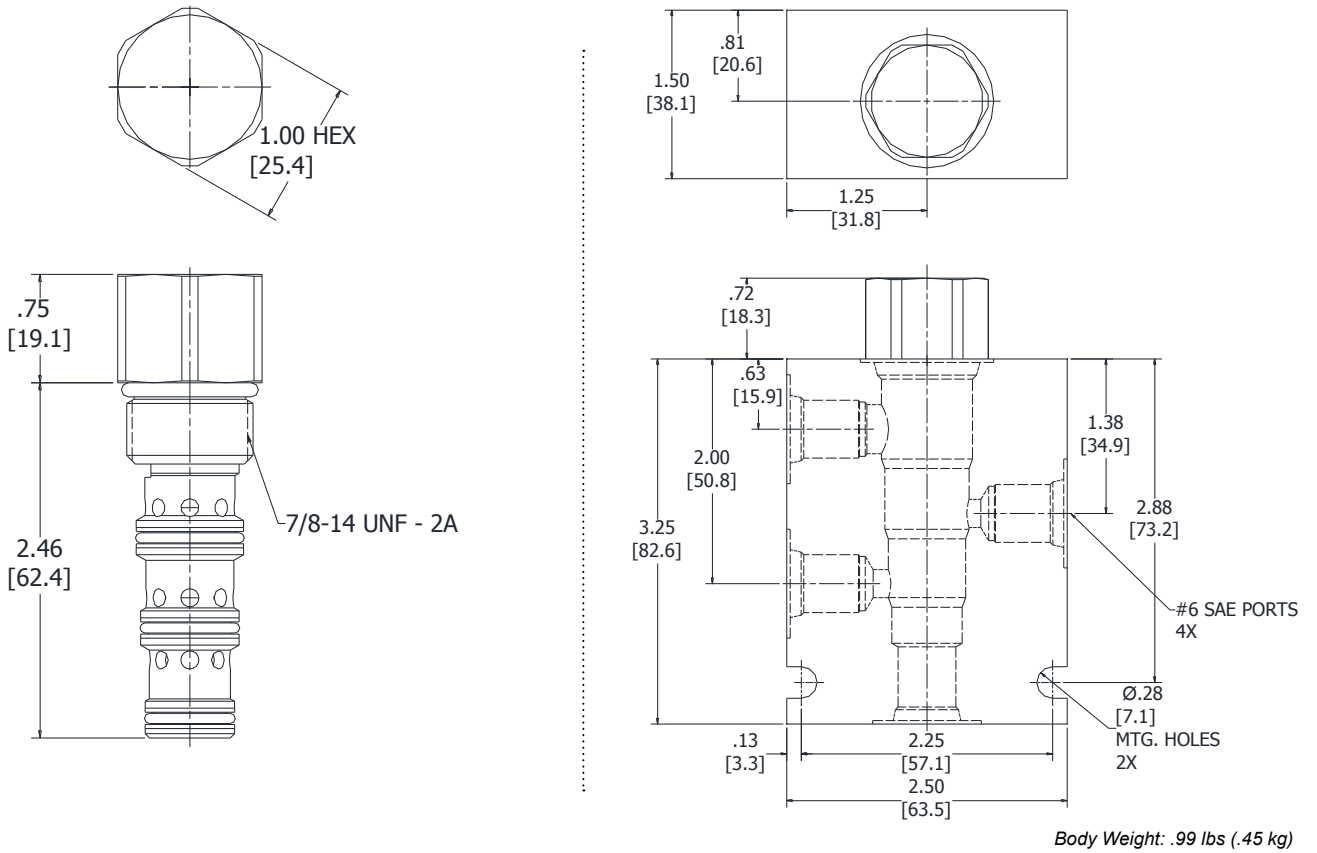


4484 Boeing Drive Rockford, IL 61109 • USA • Phone +1 (815) 397-6628 • Fax +1 (815) 397-2526  
 mail: delta@delta-power.com • www.delta-power.com



Via Malavolti, 36 • 41122 Modena • ITALY • Phone +39 (059) 254895 • Fax +39 (059) 253512  
 mail: tecnord@tecnord.com • www.tecnord.com

**DIMENSIONS**



**ORDERING INFORMATION**

<b>HG-PDA</b> -		-	-	-
<b>OPTIONS</b>				
Buna Standard	<b>00</b>			
Viton Standard	<b>V0</b>			
<b>BODIES</b>				
Blank	Without Body			
<b>N</b>	1/4" NPTF Ports			
<b>S</b>	#6 SAE Ports			
<b>PRESSURE SETTINGS</b>				
<b>0040</b>	40 PSI			
<b>0080</b>	80 PSI			
<b>0160</b>	160 PSI			

W14 / 2018

**WARNING:** the specifications/application data shown in our catalogs and data sheets are intended only as a general guide for the product described (herein). Any specific application should not be undertaken without independent study, evaluation, and testing for suitability.



4484 Boeing Drive Rockford, IL 61109 • USA • Phone +1 (815) 397-6628 • Fax +1 (815) 397-2526  
 mail: delta@delta-power.com • www.delta-power.com



Via Malavolti, 36 • 41122 Modena • ITALY • Phone +39 (059) 254895 • Fax +39 (059) 253512  
 mail: tecnord@tecnord.com • www.tecnord.com