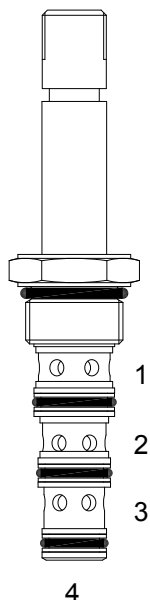


## PQ-S4B DIRECT ACTING SPOOL, 4 WAY 2 POSITION, CLOSED CENTER



### DESCRIPTION

8 size, 3/4 -16 thread, "Power" series, solenoid operated, 4 way 2 position, closed center spool valve.

### OPERATION

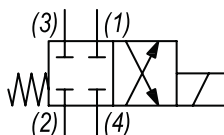
When de-energized the PQ-S4B blocks flow at all ports. When energized the valve allows flow from (2) to (1) and from (3) to (4).

**OPERATION OF MANUAL OVERRIDE OPTION:** to override, pull knob out. On the detented version, after pulling knob out twist 180 degrees and release. The valve will remain in that position.

### FEATURES

- Hardened parts for long life.
- Efficient wet-armature construction.
- Cartridges are voltage interchangeable.
- Manual override option.
- Industry common cavity.
- Unitized, molded coil design.
- Continuous duty rated solenoid.
- Optional coil voltages and terminations.
- Optional "I" Coil: Weatherproof, Thermal Shock, Immersion Safe.

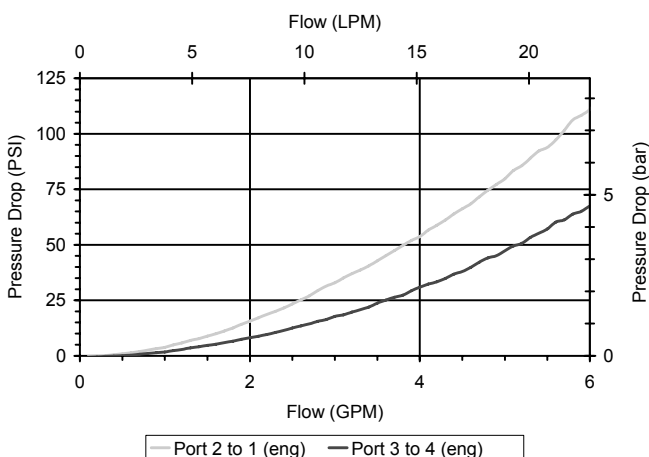
### HYDRAULIC SYMBOL



Modes of shift operation to 6 GPM, Consult Factory.

### PERFORMANCE

Actual Test Data (Cartridge Only)



### VALVE SPECIFICATIONS

|                                    |                                 |
|------------------------------------|---------------------------------|
| Nominal Flow                       | 4 GPM (15 LPM)                  |
| Rated Operating Pressure           | 3000 PSI (207 bar)              |
| Typical Internal Leakage (150 SSU) | 5 cu in/min (82 ml/min)         |
| Viscosity Range                    | 36 to 3000 SSU (3 to 647 cSt)   |
| Filtration                         | ISO 18/16/13                    |
| Media Operating Temp. Range        | -40° to 250°F (-40° to 120°C)   |
| Weight                             | .24 lbs (.11 kg)                |
| Operating Fluid Media              | General Purpose Hydraulic Fluid |
| Cartridge Torque Requirements      | 25 ft-lbs (34 Nm)               |
| Coil Nut Torque Requirements       | 4-6 ft-lbs (5.4-8.1 Nm)         |
| Cavity                             | POWER 4W                        |
| Cavity Tools Kit                   |                                 |
| (form tool, reamer, tap)           | 40500029                        |
| Seal Kit                           | 21191108                        |

**WARNING:** the specifications/application data shown in our catalogs and data sheets are intended only as a general guide for the product described (herein). Any specific application should not be undertaken without independent study, evaluation, and testing for suitability.

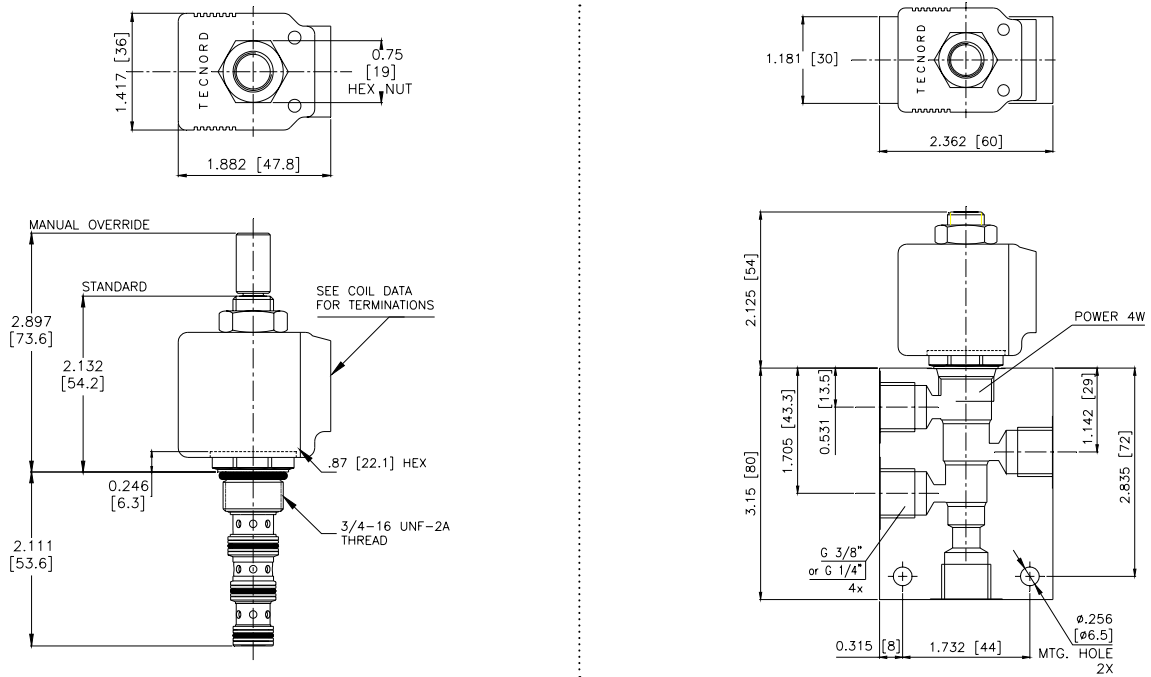


4484 Boeing Drive Rockford, IL 61109 • USA • Phone +1 (815) 397-6628 • Fax +1 (815) 397-2526  
mail: delta@delta-power.com • www.delta-power.com



Via Malavolti, 36 • 41122 Modena • ITALY • Phone +39 (059) 254895 • Fax +39 (059) 253512  
mail: tecnord@tecnord.com • www.tecnord.com

DIMENSIONS



ORDERING INFORMATION

Approximate Coil Weight: .42 lbs (.19 kg)

PQ-S4B - - - -

- OPTIONS**
- Buna Standard **00**
  - Viton Standard **V0**
  - Buna, Override, Detent **0M**
  - Viton, Override, Detent **VM**
  - Buna, Override, Non-Detent **B1**
  - Viton, Override, Non-Detent **V1**

- BODIES**
- Blank** Without Body
  - N** 1/4" BSP Ports
  - N1** 3/8" BSP Ports
  - S** #6 SAE Ports

**VOLTAGE** (other voltages available on request)

- 12** 12 VDC
- 24** 24 VDC
- 22** 220 VAC without internal rectifier

**"P" TYPE "J" COIL TERMINATION**

- JA** "J" Coil AMP Superseal - Integral
- JD** "J" Coil Deutsch - Integral DT04-2P

**JJ** "J" Coil AMP Jr. Time - Integral

- JL** "J" Coil Double Lead
- JH** "J" Coil DIN 43650 (Hirschmann)

W 9 / 2020

**WARNING:** the specifications/application data shown in our catalogs and data sheets are intended only as a general guide for the product described (herein). Any specific application should not be undertaken without independent study, evaluation, and testing for suitability.



4484 Boeing Drive Rockford, IL 61109 • USA • Phone +1 (815) 397-6628 • Fax +1 (815) 397-2526  
 mail: delta@delta-power.com • www.delta-power.com



Via Malavolti, 36 • 41122 Modena • ITALY • Phone +39 (059) 254895 • Fax +39 (059) 253512  
 mail: tecnord@tecnord.com • www.tecnord.com