

PB-NVB ADJUSTABLE FLOW CONTROL VALVE, NEEDLE TYPE, FINE ADJUST

DESCRIPTION

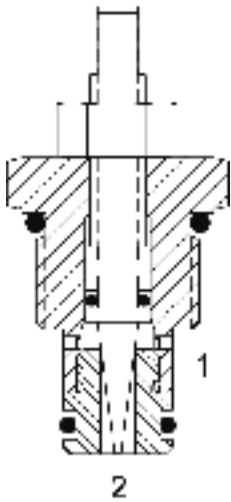
8 size, 3/4-16 thread, "Power" series, fine adjust needle flow control.

OPERATION

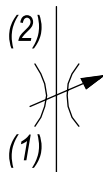
The PB-NVB adjusts from fully open to fully closed by turning adjusting screw clockwise. When adjusted open the valve allows flow (1) to (2) and (2) to (1). When fully closed the valve blocks flow from (1) to (2) and (2) to (1).

FEATURES

- Hardened parts for long life.
- Industry common cavity.

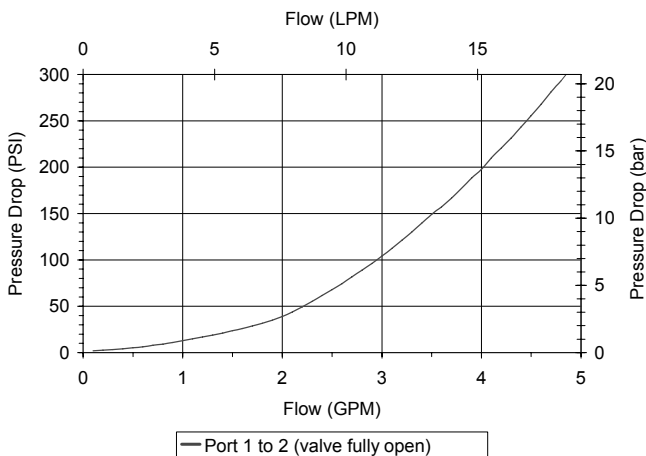


HYDRAULIC SYMBOL



PERFORMANCE

Actual Test Data (Cartridge Only)



VALVE SPECIFICATIONS

Nominal Flow	3 GPM (11 LPM)
Rated Operating Pressure	3500 PSI (241 bar)
Viscosity Range	36 to 3000 SSU (3 to 647 cSt)
Filtration	ISO 18/16/13
Media Operating Temp. Range	-40° to 250°F (-40° to 120°C)
Weight	.13 lbs (.06 kg)
Operating Fluid Media	General Purpose Hydraulic Fluid
Cartridge Torque Requirements	30 ft-lbs (40.6 Nm)
Cavity	POWER 2W
Cavity Form Tool (Finishing)	40500005
Seal Kit	21191102

WARNING: the specifications/application data shown in our catalogs and data sheets are intended only as a general guide for the product described (herein). Any specific application should not be undertaken without independent study, evaluation, and testing for suitability.

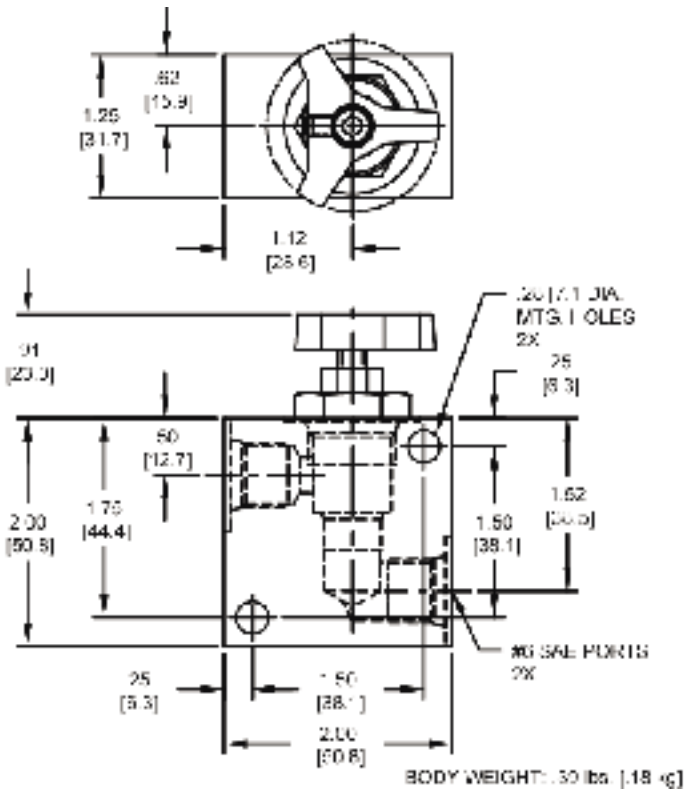
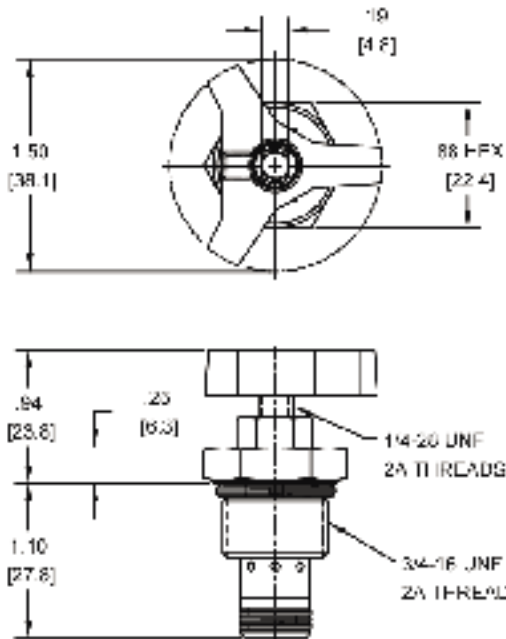


4484 Boeing Drive Rockford, IL 61109 • USA • Phone +1 (815) 397-6628 • Fax +1 (815) 397-2526
 mail: delta@delta-power.com • www.delta-power.com



Via Malavolti, 36 • 41122 Modena • ITALY • Phone +39 (059) 254895 • Fax +39 (059) 253512
 mail: tecnord@tecnord.com • www.tecnord.com

DIMENSIONS



Body Weight: .39 lbs (.18 kg)

ORDERING INFORMATION

<p>PB-NVB - -</p> <p style="text-align: center;">OPTIONS</p> <p>Buna Standard 00</p> <p>Viton Standard V0</p> <p>Buna, Knob 0K</p> <p>Viton, Knob VK</p> <p>Buna, Screen A0</p> <p>Viton, Screen W0</p> <p>Buna, Screen, Knob AK</p> <p>Viton, Screen, Knob WK</p>	<p style="text-align: center;">BODIES</p> <p>Blank Without Body</p> <p>N 1/4" NPTF Ports</p> <p>S #6 SAE Ports</p>
------------------------------------------------------------------------------------------------------------------------------------------------------------------------------------------------------------------------------------------------------------------------------------------------------------------------------------------	-----------------------------------------------------------------------------------------------------------------------------------------

Note: use screen only if flow direction is from (1) to (2).

1/16 / 2020

WARNING: the specifications/application data shown in our catalogs and data sheets are intended only as a general guide for the product described (herein). Any specific application should not be undertaken without independent study, evaluation, and testing for suitability.



4484 Boeing Drive Rockford, IL 61109 • USA • Phone +1 (815) 397-6628 • Fax +1 (815) 397-2526
 mail: delta@delta-power.com • www.delta-power.com



Via Malavolti, 36 • 41122 Modena • ITALY • Phone +39 (059) 254895 • Fax +39 (059) 253512
 mail: tecnord@tecnord.com • www.tecnord.com