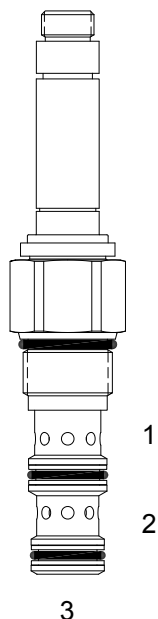


HU-S3E DIRECT ACTING SPOOL, 3 WAY 2 POSITION, HIGH PRESSURE



DESCRIPTION

12 size, 1 1/16-12 thread, "Tecnord" series, solenoid operated, 3 way 2 position, spool valve.

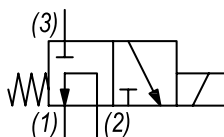
OPERATION

When de-energized the HU-S3E allows flow from (2) to (1) and blocks flow at port (3). When energized the valve allows flow from (3) to (2) and blocks flow at port (1).

FEATURES

- Hardened parts for long life.
- Efficient wet-armature construction.
- Cartridges are voltage interchangeable.
- Industry common cavity.
- Unitized, molded coil design.
- Continuous duty rated solenoid.
- Optional coil voltages and terminations.

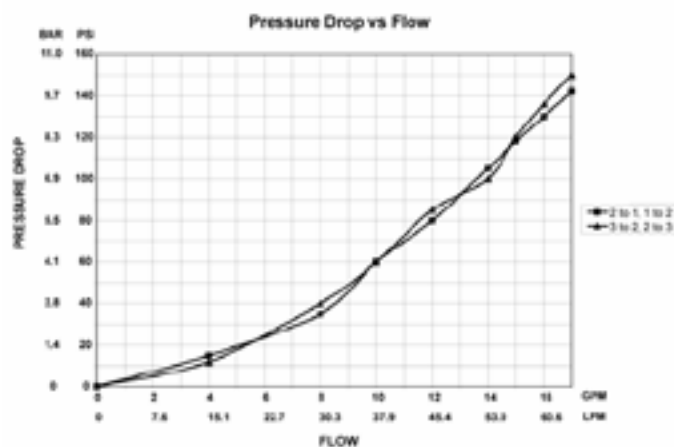
HYDRAULIC SYMBOL



Common usage is inlet at port (3).
See HU-S3F for port (2) or port (1) inlet.

PERFORMANCE

Actual Test Data (Cartridge Only)



VALVE SPECIFICATIONS

Nominal Flow	15 GPM (57 LPM)
Rated Operating Pressure	5000 PSI (345 bar)
Typical Internal Leakage (150 SSU)	8 cu in/min @ 3000 PSI
Viscosity Range	36 to 3000 SSU (3 to 647 cSt)
Filtration	ISO 18/16/13
Media Operating Temp. Range	-40° to 250°F (-40° to 120°C)
Weight	1.01 lbs (.46 kg)
Operating Fluid Media	General Purpose Hydraulic Fluid
Cartridge Torque Requirements	50 ft-lbs (67.8 Nm)
Coil Nut Torque Requirements	5-7 ft-lbs (6.8-9.5 Nm)
Cavity	TECNORD 3W
Cavity Tools Kit	
(form tool, reamer, tap)	40500034
Seal Kit	21191305

WARNING: the specifications/application data shown in our catalogs and data sheets are intended only as a general guide for the product described (herein). Any specific application should not be undertaken without independent study, evaluation, and testing for suitability.

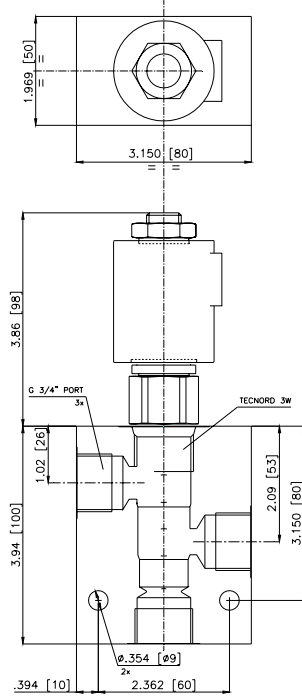
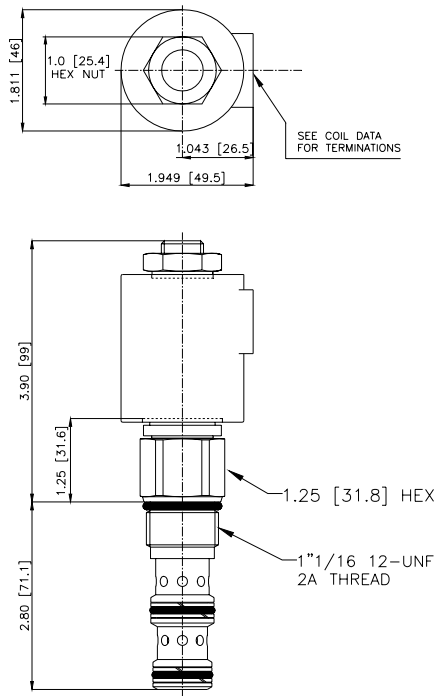


4484 Boeing Drive Rockford, IL 61109 • USA • Phone +1 (815) 397-6628 • Fax +1 (815) 397-2526
mail: delta@delta-power.com • www.delta-power.com

TECNORD

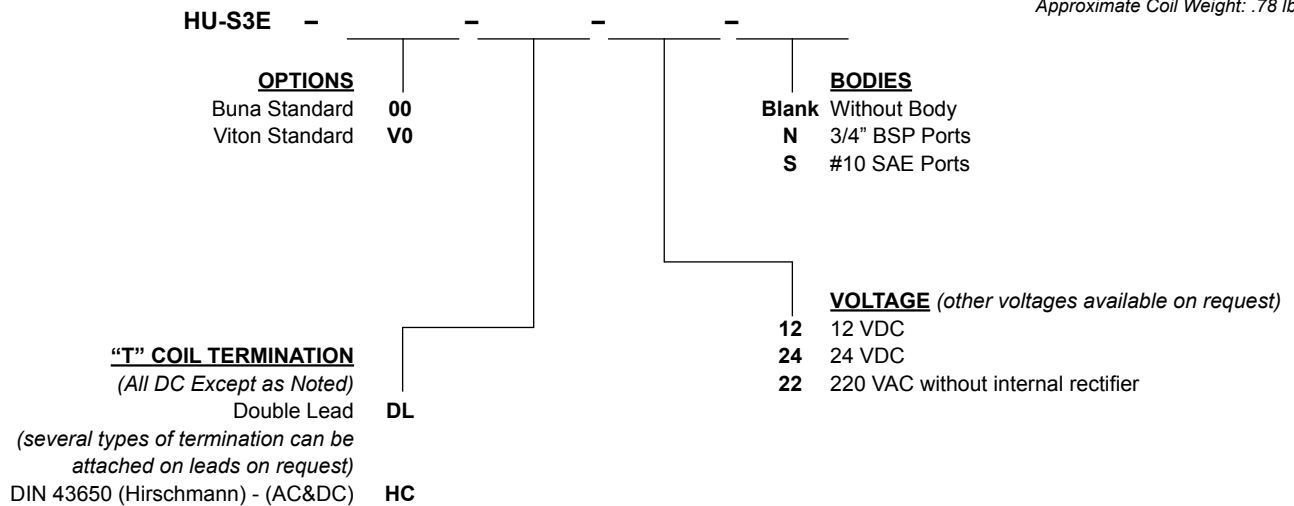
Via Malavolti, 36 • 41122 Modena • ITALY • Phone +39 (059) 254895 • Fax +39 (059) 253512
mail: tecnord@tecnord.com • www.tecnord.com

DIMENSIONS



ORDERING INFORMATION

Approximate Coil Weight: .78 lbs (.35 kg)



W 9 / 2020

WARNING: the specifications/application data shown in our catalogs and data sheets are intended only as a general guide for the product described (herein). Any specific application should not be undertaken without independent study, evaluation, and testing for suitability.



4484 Boeing Drive Rockford, IL 61109 • USA • Phone +1 (815) 397-6628 • Fax +1 (815) 397-2526
 mail: delta@delta-power.com • www.delta-power.com



Via Malavolti, 36 • 41122 Modena • ITALY • Phone +39 (059) 254895 • Fax +39 (059) 253512
 mail: tecnord@tecnord.com • www.tecnord.com