

EC-SNR-ANG-D3030-H DUAL AXIS INCLINOMETER (TILT DEVICE)**DESCRIPTION**

Absolute dual axis inclinometer sensor based on earth's gravity.

OPERATION

Signal outputs are linearly proportional to the tilt angle to the ground. With a measurement range of $\pm 30^\circ$ this device provides a 0.5 to 4.5 VDC output signal over its range with a nominal 2.5 VDC at 0 degree. It is normally used to control the planarity of chassis or mechanical structure respect to the earth line.

FEATURES

- Supply line is protected against reversed polarity and load dump.
- Outputs are protected against short circuits to GND and supply.
- Microprocessor based.
- Vibration and shock resistant.
- Anti-debouncing software filter.
- CE certification.
- Electro Magnetic Compatibility (EMC): EN 61000-6-2 (Immunity)
EN 61000-6-3 (Emissions)

SPECIFICATIONS

Operating voltage:	8.5÷30 VDC
Max current consumption:	20 mA
Output signal:	0.5÷2.5÷4.5 VDC
Max current output:	10 mA
Max working angle for each axis:	$\pm 30^\circ$
Resolution:	0.10°
Operating temperature:	-40°C / +105°C
Degree of protection:	IP 68
Connector type:	Deutsch DT04-4P or M12
Fixing screws included:	n.4 - M5x20

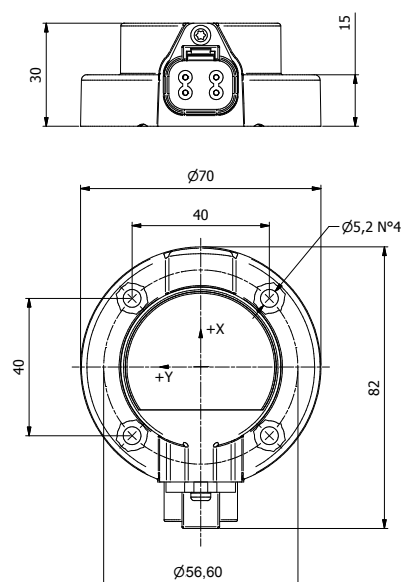
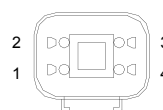
APPLICATIONS

- 12 VDC and 24 VDC systems.
- Automatic self levelling system for trucks, agricultural machines and lift equipment.
- Vehicle tilt monitoring.

Ordering Code

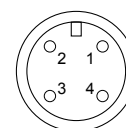
20.0401.012/A with Deutsch connector

20.0401.019/A with M12 connector

**DIMENSIONS****CONNECTIONS**

Deutsch DT04-4P

- 1 +VBATT
- 2 GND
- 3 OUTPUT X AXIS
- 4 OUTPUT Y AXIS



M12

- 1 +VBATT
- 2 GND
- 3 OUTPUT X AXIS
- 4 OUTPUT Y AXIS