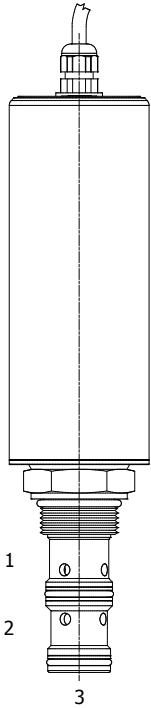


AK-FCQ MOTORIZED ADJUSTABLE PRIORITY FLOW CONTROL VALVE



DESCRIPTION

16 size, 1 5/16-12 thread, "Super" series, motorized adjustable priority flow control valve.

OPERATION

The AK-FCQ allows pressure compensated flow from (3) to (1) regulated the pressure present at (3). Excess flow passes out (2). The spring chamber is constantly vented at (1).

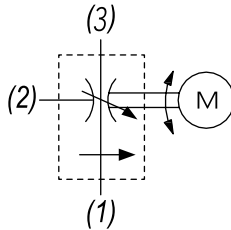
FEATURES

- Hardened parts for long life.
- Industry common cavity.

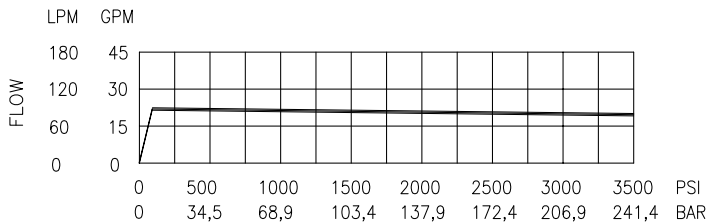


Note: When used as a bypass flow control in applications. Where the priority flow port will be blocked by external valving, bypass pressure drop will increase unless a small amount of leakage is provided for the priority port. Consult factory.

HYDRAULIC SYMBOL



PERFORMANCE



ABOVE CURVE IS WITH HYDRAULIC OIL 150 SSU AT 100°F

VALVE SPECIFICATIONS

Max Regulated Flow	25 GPM (95 LPM)
Rated Operating Pressure	3500 PSI (241 bar)
Viscosity Range	36 to 3000 SSU (3 to 647 cSt)
Filtration	ISO 18/16/13
Media Operating Temp. Range	-40° to 250°F (-40° to 120°C)
Weight	2.34 lbs (1.06 kg)
Operating Fluid Media	General Purpose Hydraulic Fluid
Cartridge Torque Requirements	90 ft-lbs (122 Nm)
Priority Flow Range	.25 GPM to 25 GPM
Travel Time at Rated Voltage	18 sec Min to Max Setting
Power Requirements	5 Watts
Allowable Input Voltage	80% - 120% of Rated
Cavity	SUPER 3W
Cavity Form Tool (Finishing)	40500018
Seal Kit	21191404

Gear ratio	Response time (full closed to full open)
100	12 sec.
250	28 sec.
500	55 sec.

WARNING: the specifications/application data shown in our catalogs and data sheets are intended only as a general guide for the product described (herein). Any specific application should not be undertaken without independent study, evaluation, and testing for suitability.

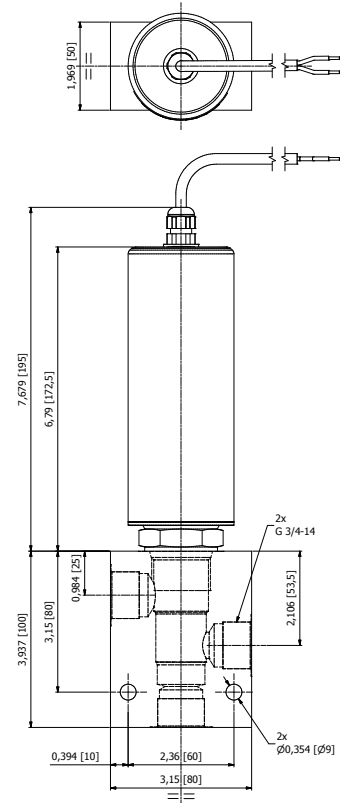
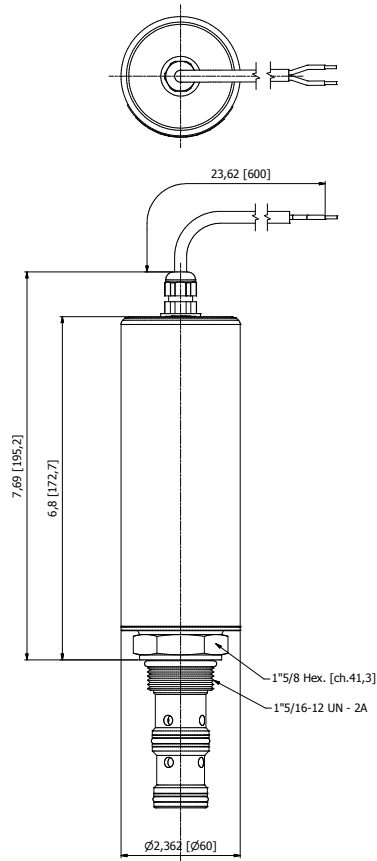


4484 Boeing Drive Rockford, IL 61109 • USA • Phone +1 (815) 397-6628 • Fax +1 (815) 397-2526
 mail: delta@delta-power.com • www.delta-power.com



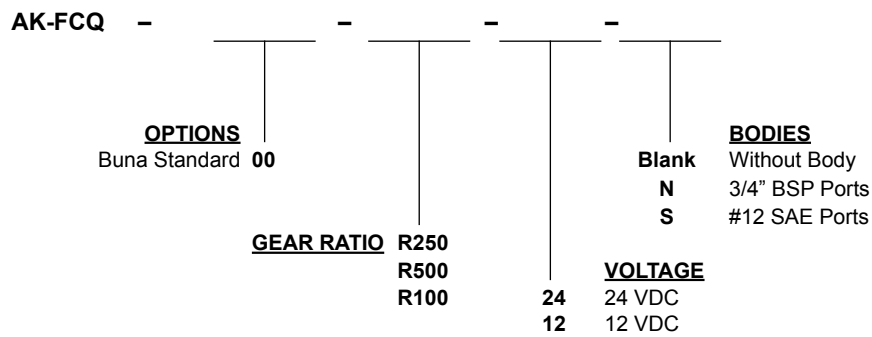
Via Malavolti, 36 • 41122 Modena • ITALY • Phone +39 (059) 254895 • Fax +39 (059) 253512
 mail: tecnord@tecnord.com • www.tecnord.com

DIMENSIONS



(for bodies style and sizes see section "Accessories")

ORDERING INFORMATION



Note: Dual lead termination (60 cm long.)

W 2 / 2020

WARNING: the specifications/application data shown in our catalogs and data sheets are intended only as a general guide for the product described (herein). Any specific application should not be undertaken without independent study, evaluation, and testing for suitability.



4484 Boeing Drive Rockford, IL 61109 • USA • Phone +1 (815) 397-6628 • Fax +1 (815) 397-2526
 mail: delta@delta-power.com • www.delta-power.com



Via Malavolti, 36 • 41122 Modena • ITALY • Phone +39 (059) 254895 • Fax +39 (059) 253512
 mail: tecnord@tecnord.com • www.tecnord.com