

IE MULTI-FUNCTION ERGONOMIC GRIP

FEATURES

- Multi-functions ergonomic grip gear type with on-off and proportional switches.
- Easy adaptability to existing joystick control lever.

MECHANICAL SPECIFICATIONS

Material:	thermoplastic
Colour:	black
Operating temperature range:	-25°C / +85°C
Connecting hub:	female thread / M10 x 1.5
Protection class:	IP 65 (plain grip)

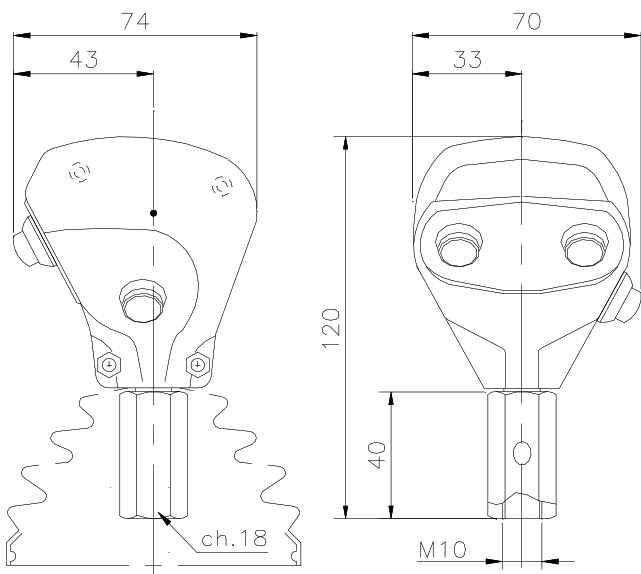
ELECTRICAL SPECIFICATIONS

Prewired exit cable:	250 mm
----------------------	--------

Available push buttons and switches

P9 - P9L - Push buttons:	see page JK61 Technical Information
A - Side dead man push button:	see above specifications for P9 push button
FPR - Proportional roller:	see FPR data sheet
Output signal:	3-pins connection hall effect contactless sensor

OVERALL DIMENSIONS



CONFIGURATION EXAMPLES

	D-man P/B	Rear P/B	Rear FPR
IE/0000/0000	0	0	0
IE/A000/0000	yes	0	0
IE/A1P9/0000	yes	1xP9	0
IE/A2P9/0000	yes	2xP9	0
IE/A3P9/0000	yes	3xP9	0
IE/0000/1FPR	0	0	1xFPR
IE-A1P9-1FPR	yes	1xP9	1xFPR

IE ORDERING INFORMATION: see page JK39

WARNING: the specifications/application data shown in our catalogs and data sheets are intended only as a general guide for the product described (herein). Any specific application should not be undertaken without independent study, evaluation, and testing for suitability.



4484 Boeing Drive Rockford, IL 61109 • USA • Phone +1 (815) 397-6628 • Fax +1 (815) 397-2526
mail: delta@delta-power.com • www.delta-power.com



Via Malavolti, 36 • 41122 Modena • ITALY • Phone +39 (059) 254895 • Fax +39 (059) 253512
mail: tecnord@tecnord.com • www.tecnord.com