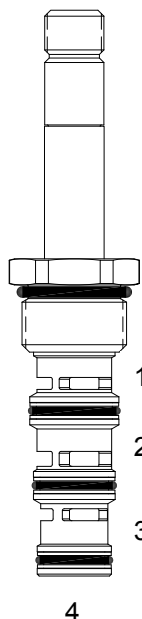


## DG-S4E DIRECT ACTING SPOOL, 4 WAY 2 POSITION, SERIES/PARALLEL



### DESCRIPTION

10 size, 7/8-14 thread, "Delta" series, solenoid operated, 4 way 2 position, series/parallel spool valve.

### OPERATION

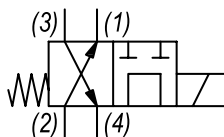
When de-energized the DG-S4E allows flow from (2) and (1), and (3) to (4). When energized the valve allows flow (2) to (4) and blocks the flow at (1) and (3).

**OPERATION OF MANUAL OVERRIDE OPTION:** to override, turn the manual override screw counterclockwise. To release turn the manual override screw clockwise.

### FEATURES

- Hardened parts for long life.
- Efficient wet-armature construction.
- Cartridges are voltage interchangeable.
- Manual override option.
- Industry common cavity.
- Unitized, molded coil design.
- Continuous duty rated solenoid.
- Optional coil voltages and terminations.
- Optional "I" Coil: Weatherproof, Thermal Shock, Immersion Safe.

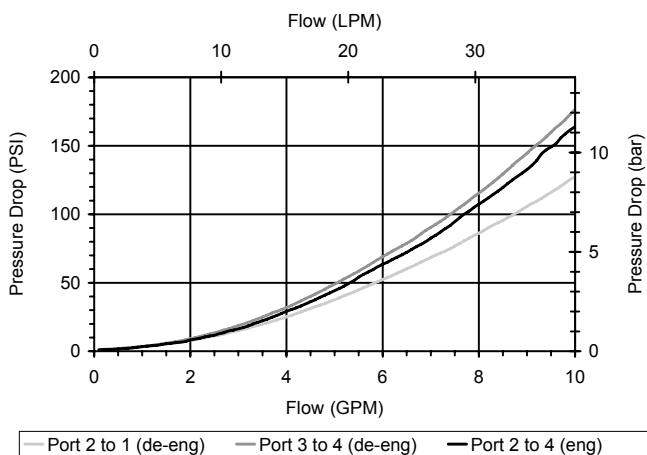
### HYDRAULIC SYMBOL



For higher pressures see HG-S4E. Operational shift limit, 6 GPM (23 LPM). For shift performance consult chart.

### PERFORMANCE

Actual Test Data (Cartridge Only)



### VALVE SPECIFICATIONS

Nominal Flow	6 GPM (23 LPM)
Rated Operating Pressure	3000 PSI (207 bar)
Typical Internal Leakage (150 SSU)	5 cu in/min (82 ml/min) per path
Viscosity Range	36 to 3000 SSU (3 to 647 cSt)
Filtration	ISO 18/16/13
Media Operating Temp. Range	-40° to 250°F (-40° to 120°C)
Weight	.31 lbs (.14 kg)
Operating Fluid Media	General Purpose Hydraulic Fluid
Cartridge Torque Requirements	30 ft-lbs (40.6 Nm)
Coil Nut Torque Requirements	4-6 ft-lbs (5.4-8.1 Nm)
Cavity	DELTA 4W
Cavity Tools Kit	
(form tool, reamer, tap)	40500002
Seal Kit	21191214

**WARNING:** the specifications/application data shown in our catalogs and data sheets are intended only as a general guide for the product described (herein). Any specific application should not be undertaken without independent study, evaluation, and testing for suitability.

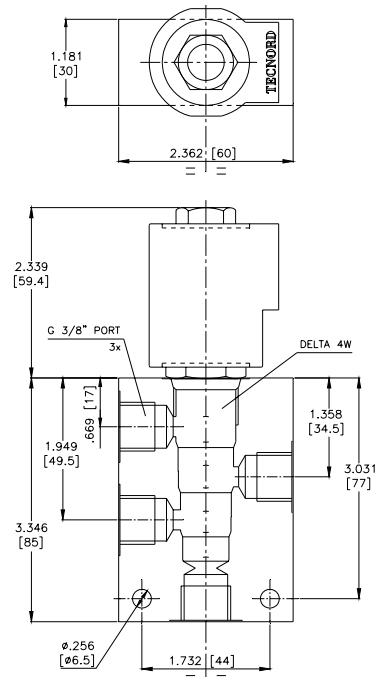
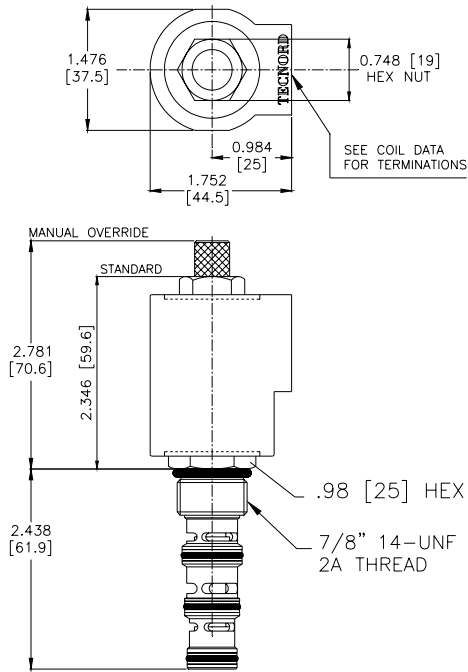


4484 Boeing Drive Rockford, IL 61109 • USA • Phone +1 (815) 397-6628 • Fax +1 (815) 397-2526  
mail: delta@delta-power.com • www.delta-power.com



Via Malavolti, 36 • 41122 Modena • ITALY • Phone +39 (059) 254895 • Fax +39 (059) 253512  
mail: tecnord@tecnord.com • www.tecnord.com

**DIMENSIONS**



**ORDERING INFORMATION**

Approximate Coil Weight: .56 lbs (.25 kg)

**DG-S4E**

- OPTIONS**
- Buna Standard **00**
  - Viton Standard **V0**
  - Buna, Override, Detent **0M**
  - Viton, Override, Detent **VM**

- BODIES**
- Blank Without Body
  - N** 3/8" BSP Ports
  - S** #6 SAE Ports

- VOLTAGE** (other voltages available on request)
- 12** 12 VDC
  - 24** 24 VDC
  - 22** 220 VAC without internal rectifier

**"V" COIL TERMINATION**  
(All DC Except as Noted)

**DL** Double Lead  
(several types of termination can be attached on leads on request)

**HC** DIN 43650 (Hirschmann) - (AC&DC)  
**DI** Deutsch - Integral DT04-2P

**IMMERSION PROOF "D" TYPE**

- DIA** "I" Coil AMP Superseal - Integral
- DID** "I" Coil Deutsch - Integral DT04-2P
- DIJ** "I" Coil AMP Jr. Timer - Integral
- DIM** "I" Coil Metri-Pack - Integral

W 9 / 2020

**WARNING:** the specifications/application data shown in our catalogs and data sheets are intended only as a general guide for the product described (herein). Any specific application should not be undertaken without independent study, evaluation, and testing for suitability.



4484 Boeing Drive Rockford, IL 61109 • USA • Phone +1 (815) 397-6628 • Fax +1 (815) 397-2526  
mail: delta@delta-power.com • www.delta-power.com



Via Malavolti, 36 • 41122 Modena • ITALY • Phone +39 (059) 254895 • Fax +39 (059) 253512  
mail: tecnord@tecnord.com • www.tecnord.com