

DE-MCF MANUAL POPPET VALVE, 2 WAY NORMALLY CLOSED, PULL TYPE, SOFT SEAT

DESCRIPTION

10 size, 7/8-14 thread, "Delta" series, manual poppet valve, 2 way normally closed, pull type, soft seat.

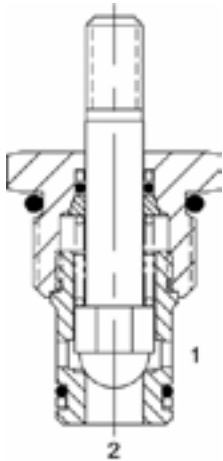
OPERATION

The DE-MCF blocks flow from (1) to (2) until an operator pulls the shaft outward. The bias spring allows for backpressure at (2) before the valve will open (see option page for pressure).

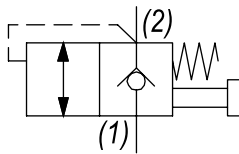
Note: pressure at port (2) will directly act on the spool and spring. Port (2) is intended to be a tank port only.

FEATURES

- Soft seat for ultra low leakage.
- Industry common cavity.



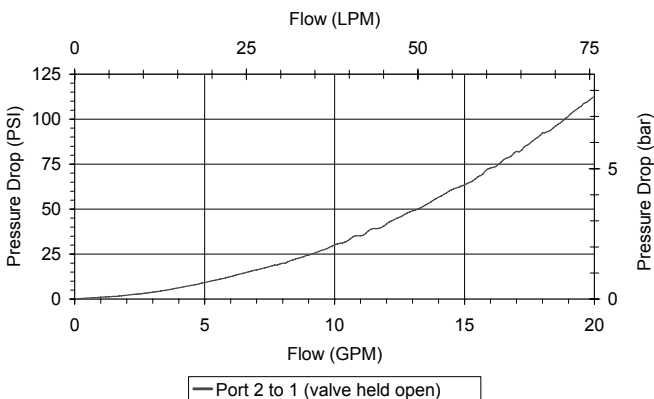
HYDRAULIC SYMBOL



Pressure above **SPRING BIAS PRESSURE** at port (2) may cause valve to self open.

PERFORMANCE

Actual Test Data (Cartridge Only)



VALVE SPECIFICATIONS

Nominal Flow	20 GPM (76 LPM)
Rated Operating Pressure	1500 PSI (103 bar)
Typical Internal Leakage (150 SSU)	Negligible
Viscosity Range	36 to 3000 SSU (3 to 647 cSt)
Filtration	ISO 18/16/13
Media Operating Temp. Range	-32° to 160°F (0° to 70°C)
Weight	.14 lbs (.06 kg)
Operating Fluid Media	General Purpose Hydraulic Fluid
Cartridge Torque Requirements	30 ft-lbs (40.6 Nm)
Cavity	DELTA 2W
Cavity Form Tool (Finishing)	40500000
Seal Kit	21191200

WARNING: the specifications/application data shown in our catalogs and data sheets are intended only as a general guide for the product described (herein). Any specific application should not be undertaken without independent study, evaluation, and testing for suitability.

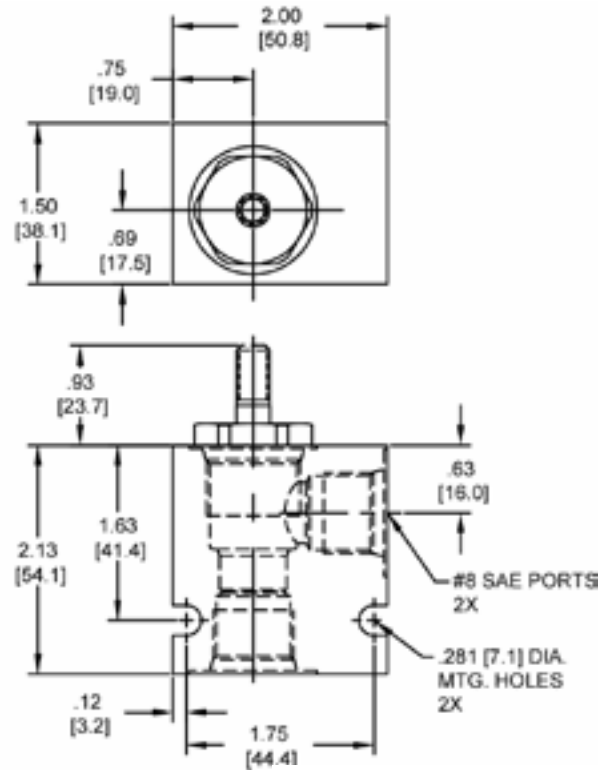
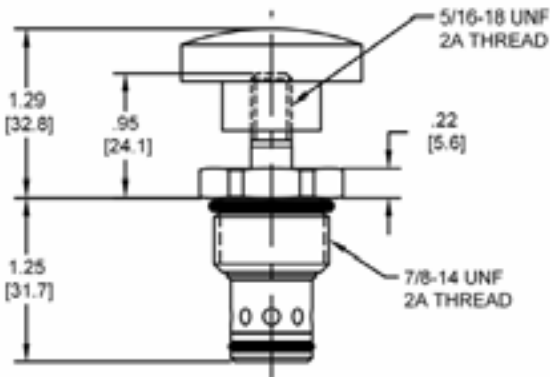
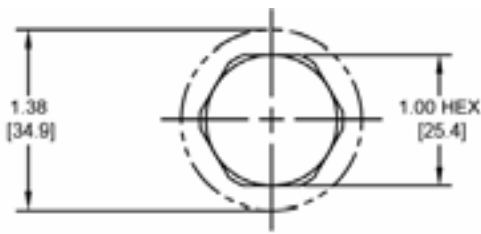


4484 Boeing Drive Rockford, IL 61109 • USA • Phone +1 (815) 397-6628 • Fax +1 (815) 397-2526
mail: delta@delta-power.com • www.delta-power.com



Via Malavolti, 36 • 41122 Modena • ITALY • Phone +39 (059) 254895 • Fax +39 (059) 253512
mail: tecnord@tecnord.com • www.tecnord.com

DIMENSIONS



Body Weight: .47 lbs (.21 kg)

ORDERING INFORMATION

DE-MCF - - - -

OPTIONS

- Buna Standard **00**
- Viton Standard **V0**
- Buna, Screen **A0**
- Viton, Screen **W0**
- Buna, Knob **0K**
- Viton, Knob **VK**
- Buna, Knob, Screen **AK**
- Viton, Knob, Screen **WK**

BODIES

- Blank Without Body
- N** 3/8" NPTF Ports
- S** #8 SAE Ports

SPRING BIAS PRESSURE

0065 65 PSI

Note: use screen only if flow direction is from (1) to (2).

Note: pressure above SPRING BIAS PRESSURE at port (2) may cause valve to self open.

W14 / 2018

WARNING: the specifications/application data shown in our catalogs and data sheets are intended only as a general guide for the product described (herein). Any specific application should not be undertaken without independent study, evaluation, and testing for suitability.



4484 Boeing Drive Rockford, IL 61109 • USA • Phone +1 (815) 397-6628 • Fax +1 (815) 397-2526
 mail: delta@delta-power.com • www.delta-power.com



Via Malavolti, 36 • 41122 Modena • ITALY • Phone +39 (059) 254895 • Fax +39 (059) 253512
 mail: tecnord@tecnord.com • www.tecnord.com