

RX-CAN-2G4 CANBUS RADIO RECEIVER

DESCRIPTION

Compact radio receiver / transceiver with CANbus interface. For use with Tecnord single-hand or multifunction Radio Transmitters.

OPERATION

RX-CAN radio transceiver is designed to allow radio remote operation of machines equipped with a CAN-based control system. Its compact and rugged design allows easy installation, even in weather-exposed locations on the machine. Standard communication protocols include CANopen and J1939.

Customized protocols are available for OEMs. Each Tecnord Radio is produced with a unique identifier (System ID). In case of lost Transmitter, a simple self-learning procedure allows to match a new spare transmitter. The transmission technology used allows high immunity to interference and long operating range. Co-existence between multiple units is also allowed. A unique code allows the RX-CAN transceiver controller to operate only with its coupled radio transmitter.

FEATURES

- Supply line is protected against reversed polarity and overvoltage.
- CANbus line is protected against short circuits to GND and supply.
- Microprocessor based.
- Vibration and shock resistant.
- Easy installation with 4 screws (option: magnet).
- CE, FCC, IC certifications available
- Electro Magnetic Compatibility (EMC): EN 61000-6-2 (Immunity)
EN 61000-6-3 (Emissions)

SPECIFICATIONS

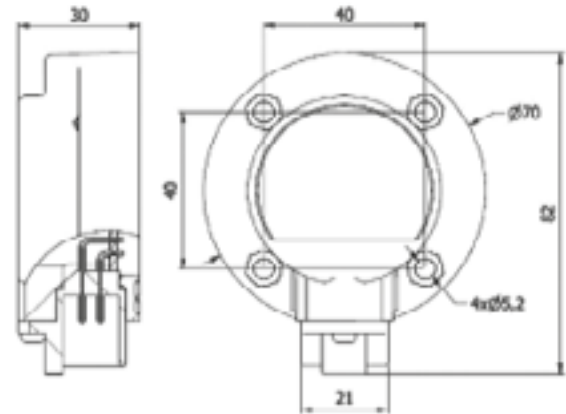
Operating voltage:	6.5 ÷ 30 VDC
Max current consumption:	200 mA
Operating temperature:	-40 ÷ +85°C
Environmental protection:	IP 68
Operating Frequency Band:	2402 ÷ 2480 MHz
Transmission type:	BT 2.1 + EDR
Antenna:	Built-in (internal)
Diagnostics:	1 LED for the radio link status 1 LED for the CANbus status
CANbus physical layer:	ISO 11898
CANbus protocol:	J1939 (standard) CANopen (option)
Connector type:	Deutsch DT04-4P

APPLICATIONS

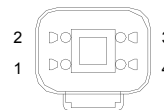
- 12 VDC and 24 VDC systems.
- Remote control of aerial platforms, telehandlers, agricultural machines and lift equipment equipped with CANbus systems.



DIMENSIONS



CONNECTIONS



Deutsch DT04-4P

- 1 +V (POWER SUPPLY)
- 2 CAN - H
- 3 CAN - L
- 4 -V (POWER SUPPLY - GND)

RX ORDERING INFORMATION: see page RC3

WARNING: the specifications/application data shown in our catalogs and data sheets are intended only as a general guide for the product described (herein). Any specific application should not be undertaken without independent study, evaluation, and testing for suitability.

W 7 / 2017



4484 Boeing Drive Rockford, IL 61109 • USA • Phone +1 (815) 397-6628 • Fax +1 (815) 397-2526
mail: delta@delta-power.com • www.delta-power.com



Via Malavolti, 36 • 41122 Modena • ITALY • Phone +39 (059) 254895 • Fax +39 (059) 253512
mail: tecnord@tecnord.com • www.tecnord.com