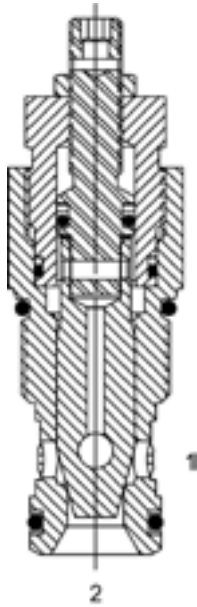


**HT-NVA ADJUSTABLE FLOW CONTROL VALVE, NEEDLE TYPE**



**DESCRIPTION**

“High Pressure” 12 size, 1 1/16-12 thread, “Tecnord” series, needle flow control valve.

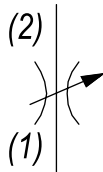
**OPERATION**

The HT-NVA adjusts from fully open to fully closed by turning adjusting screw clockwise. When adjusted open the valve allows flow (1) to (2) and (2) to (1). When fully closed the valve blocks flow from (1) to (2) and (2) to (1).

**FEATURES**

- Hardened parts for long life.
- Industry common cavity.

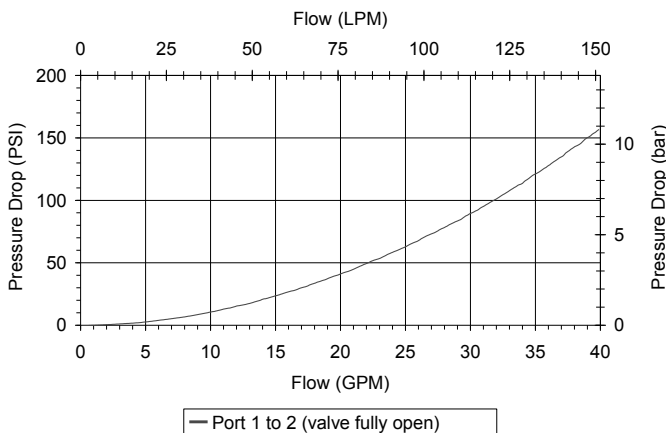
**HYDRAULIC SYMBOL**



*Valves with the knob option are NOT to be adjusted under pressure.*

**PERFORMANCE**

Actual Test Data (Cartridge Only)



**VALVE SPECIFICATIONS**

Nominal Flow	35 GPM (132 LPM)
Rated Operating Pressure	5000 PSI (345 bar)
Viscosity Range	36 to 3000 SSU (3 to 647 cSt)
Filtration	ISO 18/16/13
Media Operating Temp. Range	-40° to 250°F (-40° to 120°C)
Weight	.72 lbs (.32 kg)
Operating Fluid Media	General Purpose Hydraulic Fluid
Cartridge Torque Requirements	70 ft-lbs (95 Nm)
Cavity	TECNORD 2W
Cavity Form Tool (Finishing)	40500032
Seal Kit	21191302

**WARNING:** the specifications/application data shown in our catalogs and data sheets are intended only as a general guide for the product described (herein). Any specific application should not be undertaken without independent study, evaluation, and testing for suitability.

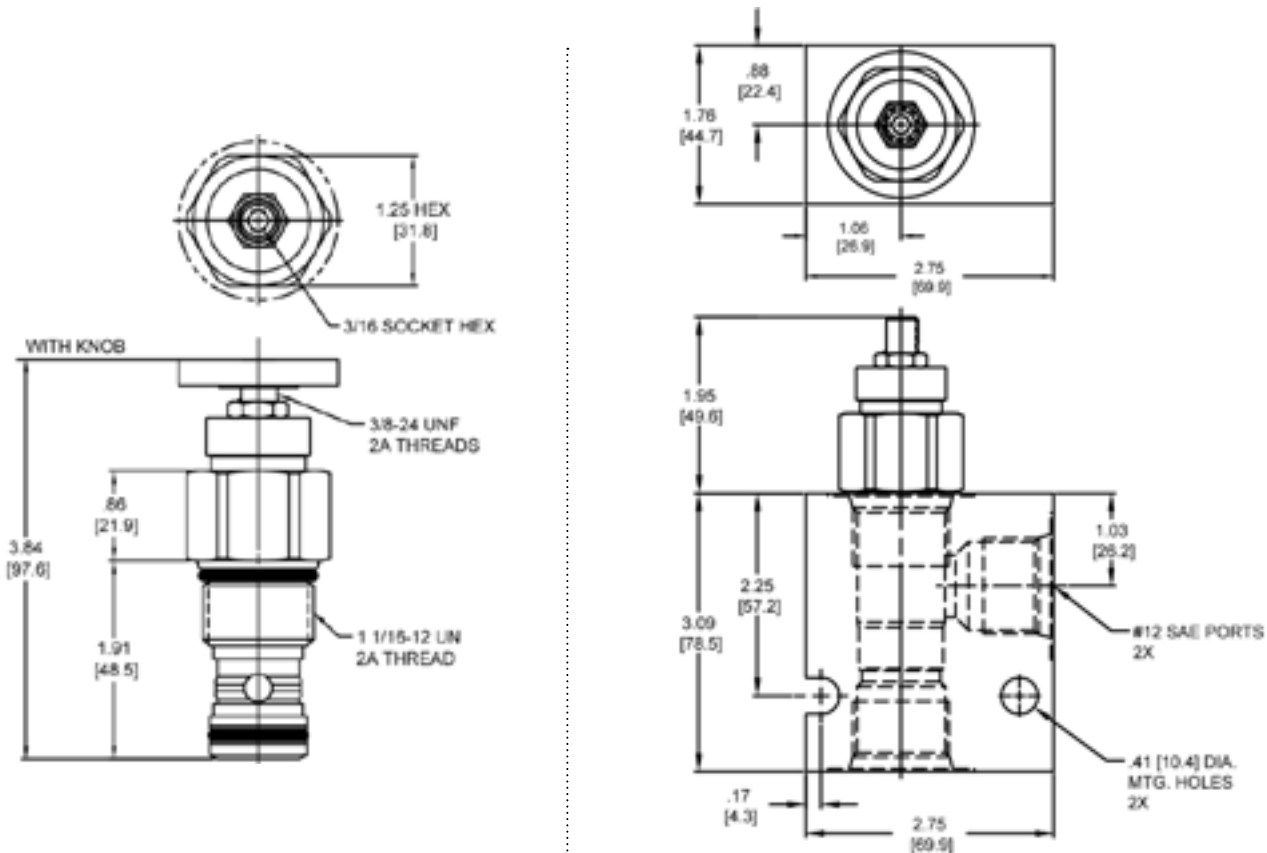


4484 Boeing Drive Rockford, IL 61109 • USA • Phone +1 (815) 397-6628 • Fax +1 (815) 397-2526  
 mail: delta@delta-power.com • www.delta-power.com



Via Malavolti, 36 • 41122 Modena • ITALY • Phone +39 (059) 254895 • Fax +39 (059) 253512  
 mail: tecnord@tecnord.com • www.tecnord.com

DIMENSIONS



Body Weight: 3.71 lbs (1.68 kg)

ORDERING INFORMATION

<p><b>HT-NVA</b> -</p> <p style="text-align: center;"> </p> <p><b>OPTIONS</b></p> <p>Buna Standard <b>00</b></p> <p>Viton Standard <b>V0</b></p> <p>    Buna, Knob <b>0K</b></p> <p>    Viton, Knob <b>VK</b></p> <p>    Buna, Screen <b>A0</b></p> <p>    Viton, Screen <b>W0</b></p> <p>    Buna, Screen, Knob <b>AK</b></p> <p>    Viton, Screen, Knob <b>WK</b></p>	<p>-</p> <p style="text-align: center;"> </p> <p><b>BODIES</b></p> <p>Blank Without Body</p> <p><b>S</b> #12 SAE Ports</p>
---	--

**Note: use screen only if flow direction is from (1) to (2).**

W6 / 2020

**WARNING:** the specifications/application data shown in our catalogs and data sheets are intended only as a general guide for the product described (herein). Any specific application should not be undertaken without independent study, evaluation, and testing for suitability.



4484 Boeing Drive Rockford, IL 61109 • USA • Phone +1 (815) 397-6628 • Fax +1 (815) 397-2526  
 mail: delta@delta-power.com • www.delta-power.com



Via Malavolti, 36 • 41122 Modena • ITALY • Phone +39 (059) 254895 • Fax +39 (059) 253512  
 mail: tecnord@tecnord.com • www.tecnord.com